

SENTRIGARD™  
NS 150 PANEL

RAKE FLASHING

FASTENERS, 12" O.C.

APPROVED SEALANT

CONTINUOUS CLEAT

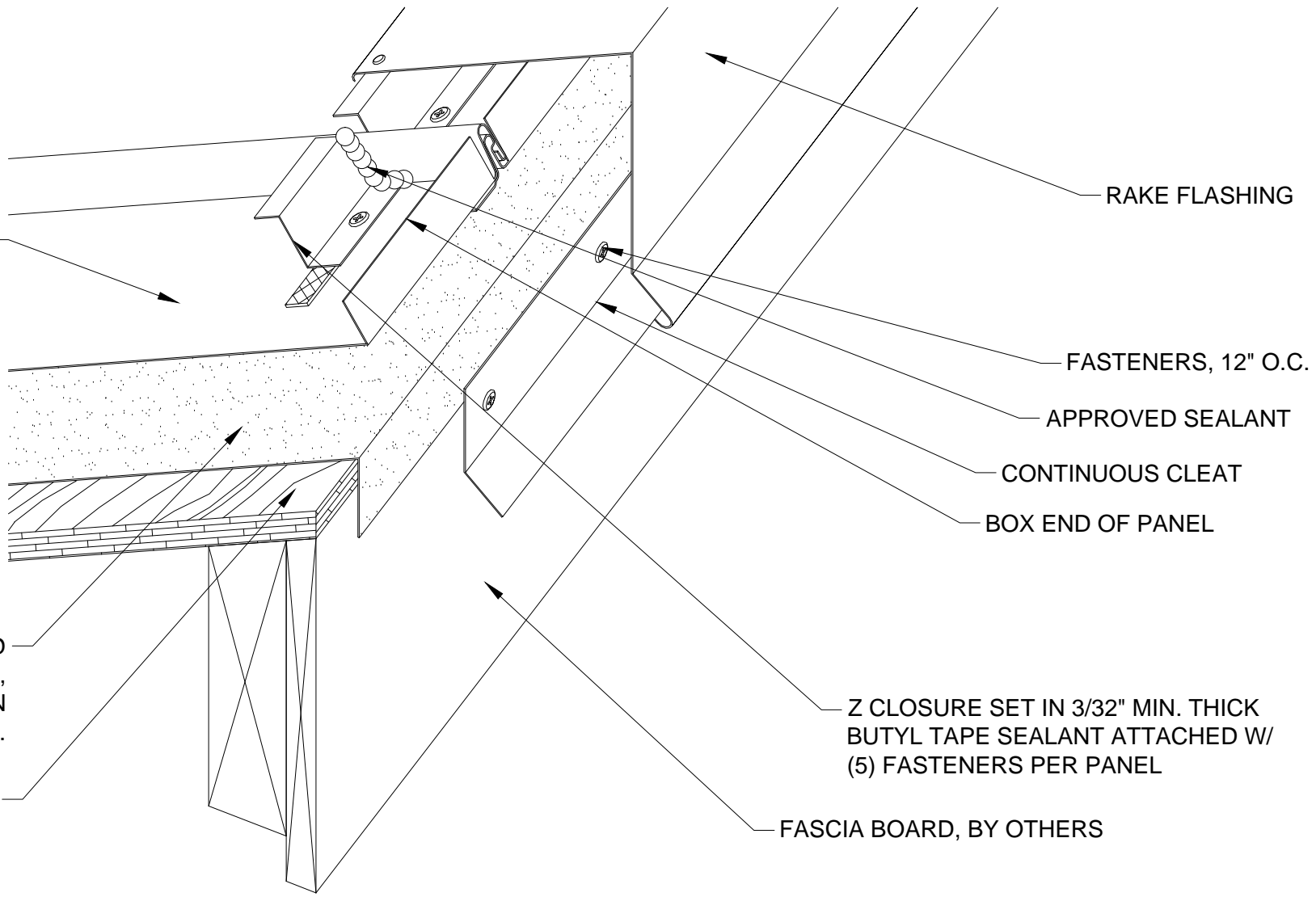
BOX END OF PANEL

APPROVED  
UNDERLAYMENT,  
TURN DOWN  
VERTICALLY 3" MIN.

WOOD DECK,  
BY OTHERS

Z CLOSURE SET IN 3/32" MIN. THICK  
BUTYL TAPE SEALANT ATTACHED W/  
(5) FASTENERS PER PANEL

FASCIA BOARD, BY OTHERS



Project:

Contractor:

Designer:

Date:

Scale:

THIS DRAWING IS THE  
PROPERTY OF N.B. HANDY  
CO., INC. THE USE OF THIS  
DRAWING WITHOUT THE  
EXPRESS PERMISSION OF  
N.B. HANDY IS PROHIBITED.

**N.B. HANDY CO., INC.**  
4625 Alexander Drive, Suite 135  
Alpharetta, GA 30022-3737  
Ph: (770) 667-0463

**SENTRIGARD NS 150 PK-2**