

Force Engineering & Testing
19530 Ramblewood Drive
Humble, Texas 77338
Phone: (281) 540-6603, Fax: (281) 540-9966
Website: forceengineeringtesting.com

Product Evaluation Report
SENTRIGARD METAL ROOFING SYSTEMS ASSOCIATION, INC.,
an NB HANDY COMPANY

Sentrigard ML 100AH 0.032" Alum. 16" Wide Roof Panel over Plywood

Florida Product Approval # 9860.3 R6

Florida Building Code 2020
Per Rule 61G20-3
Method: 1 -D

Category: Roofing
Subcategory: Metal Roofing
Compliance Method: 61G20-3.005(1)(d)
HVHZ

Product Manufacturer:

Sentrigard Metal Roofing Systems Association, Inc.,
an NB Handy Company
65 10th Street
Lynchburg, Virginia 24502

Engineer Evaluator:

Johnathan Green, P.E. #88223
Florida Evaluation ANE ID: 12901

Validator:

Brian Jaks P.E. #70159

Contents:

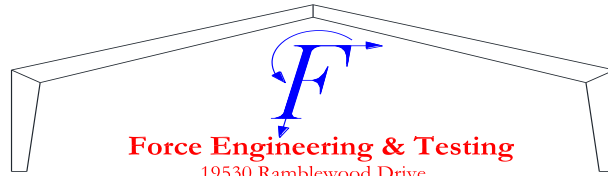
Evaluation Report Pages 1 – 4



SEP 24 2020

THIS ITEM HAS BEEN
DIGITALLY SIGNED AND
SEALED BY JOHNATHAN
GREEN ON THE DATE
ADJACENT TO THE SEAL.

PRINTED COPIES OF THIS
DOCUMENT ARE NOT
CONSIDERED SIGNED AND
SEALED AND THE
SIGNATURE MUST BE
VERIFIED ON ANY
ELECTRONIC COPIES.



Force Engineering & Testing

19530 Ramblewood Drive

Humble, Texas 77338

Phone: (281) 540-6603, Fax: (281) 540-9966

Website: forceengineeringtesting.com

Compliance Statement: The product as described in this report has demonstrated compliance with the Florida Building Code 2020, Sections 1504.3.2, 1518.9, 1523.6.5.2.4.

Product Description: Sentrigard ML 100AH, 1" Mechanical Lock Standing Seam Roof Panel, 0.032" Aluminum, 16" Wide, Roof Panel restrained with stainless steel slider clips into APA Plywood decking. Non-structural Application.

Panel Material/Standards: Material: 0.032" Aluminum, 3105 H-24 unpainted or painted with Valspar Fluropon conforming to Florida Building Code 2020 Section 1507.4.3. Corrosion Resistance: Panel Material shall comply with Florida Building Code 20120 Section 1507.4.3

Panel Dimension(s): Thickness: 0.032"
Width: 16" max coverage
Rib Height: 1"
Panel Seam: 180° Seam, Double Lock w/ mechanical seamer

Roof Panel Clip: Product Name: UC-3 Stainless Steel Butterfly Clip Assembly
Type: Two Piece Slider
Corrosion Resistance: Per Florida Building Code 2020 Section 1506.7

Roof Clip Fastener: (2) #12-11 x 1" Pancake Type A
¼" minimum penetration through plywood
Corrosion Resistance: Per Florida Building Code 2020, Section 1517.6.

Substrate Description: 1) For HVHZ construction, use 19/32" or greater APA Rated plywood or wood plank. In reroofing applications where the deck is less than 19/32" thick (min. 15/32") the attachment of the decking in no case shall be less than 8D annual ring shank nails at 6" O.C. Design of plywood and plywood supports are outside the scope of this evaluation. Substrate must be designed in accordance w/ Florida Building Code 2020.

2) For Non-HVHZ applications, use min. 15/32" thick, APA Rated plywood over supports at maximum 24" O.C. Design of plywood and plywood supports are outside the scope of this evaluation. Substrate must be designed in accordance w/ Florida Building Code 2020.



SEP 24 2020

THIS ITEM HAS BEEN DIGITALLY SIGNED AND SEALED BY JOHNATHAN GREEN ON THE DATE ADJACENT TO THE SEAL.

PRINTED COPIES OF THIS DOCUMENT ARE NOT CONSIDERED SIGNED AND SEALED AND THE SIGNATURE MUST BE VERIFIED ON ANY ELECTRONIC COPIES.



Force Engineering & Testing
 19530 Ramblewood Drive
 Humble, Texas 77338
 Phone: (281) 540-6603, Fax: (281) 540-9966
 Website: forceengineeringtesting.com

Allowable Design Uplift Pressures:

Table "A"

Maximum Total Uplift Design Pressure:	63.5 psf	101.0 psf
Clip Spacing:	24" O.C.	6" O.C.
# Fasteners per Clip:	2	2

*Design Pressure includes a Safety Factor = 2.0.

Code Compliance:

The product described herein has demonstrated compliance with The Florida Building Code 2020, Section 1504.3.2, 1518.9, 1523.6.5.2.4.

Evaluation Report Scope:

The product evaluation is limited to compliance with the structural wind load requirements of the Florida Building Code 2020, as relates to Rule 61G20-3.

Performance Standards:

The product described herein has demonstrated compliance with:

- TAS 125-03
- UL 580-06 - Test for Uplift Resistance of Roof Assemblies
- UL 1897-2012 - Uplift Test for Roof Covering Systems
- TAS 100-95 - Test Procedure for Wind and Wind Driven Rain Resistance of Discontinuous Roof Systems
- TAS 110-00 - Accel. Weathering ASTM G 155 / Salt Spray ASTM B 117

Reference Data:

1. TAS 125-03: UL 580-94 / 1897-98 Uplift Test
Force Engineering & Testing, Inc. (FBC Organization # TST-5328)
Report No. 72-0191T-07*
2. TAS 100-95
Farabaugh Engineering & Testing, Inc. (FBC Organization # TST-1654)
Report No. T232-07*
3. TAS 110-00: Valspar Fluoropon coated metal panel testing
A) ASTM G 155
B) ASTM B 117
4. Miami-Dade County
Dept. of Regulatory and Economic Resources Board and Code Admin. Div.
Notice of Acceptance (NOA) 19-0722.01; Expires 08/25/2025
Sentrigard Metal Roofing Systems Association, Inc.
5. Certificate of Independence
By Johnathan Green, P.E. #88223



SEP 24 2020

THIS ITEM HAS BEEN DIGITALLY SIGNED AND SEALED BY JOHNATHAN GREEN ON THE DATE ADJACENT TO THE SEAL.

PRINTED COPIES OF THIS DOCUMENT ARE NOT CONSIDERED SIGNED AND SEALED AND THE SIGNATURE MUST BE VERIFIED ON ANY ELECTRONIC COPIES.



Force Engineering & Testing

19530 Ramblewood Drive

Humble, Texas 77338

Phone: (281) 540-6603, Fax: (281) 540-9966

Website: forceengineeringtesting.com

Test Standard Equivalency:

1. The UL 580-94 test standard is equivalent to the UL 580-06 test standard.
2. The UL 1897-98 test standard is equivalent to the UL 1897-2012 test standard.

Quality Assurance Entity:

The Report Holder has demonstrated compliance with Florida Building Code and Rule 61G20-3.005 (3) for manufacturing locations audited by an approved quality assurance entity (Keystone Certifications, Inc – FBC Org ID QUA 1824). A listing of manufacturers authorized by the Report Holder to employ the Florida Product Approvals qualified by this report can be found at <http://www.keystonecerts.com/ga-assoc/sentrigard> or by scanning the following QR Code:



Minimum Slope Range:

2:12. Minimum Slope shall comply with Florida Building Code 2020, including Sections 1515.2.2 and in accordance with Manufacturers recommendations.

Installation:

Install per manufacturer's recommended details and RAS 133.

Underlayment:

Per Manufacturer's installation guidelines per Florida Building Code 2020 Section 1518.2, 1518.3, 1518.4.

Fire Barrier:

Any approved fire barrier having a current NOA. Refer to a current fire directory listing for fire ratings of this roofing system assembly as well as the location of the fire barrier within the assembly. Fire classification is not part of this acceptance.

Shear Diaphragm:

Shear diaphragm values are outside the scope of this report.



THIS ITEM HAS BEEN DIGITALLY SIGNED AND SEALED BY JOHNATHAN GREEN ON THE DATE ADJACENT TO THE SEAL.

PRINTED COPIES OF THIS DOCUMENT ARE NOT CONSIDERED SIGNED AND SEALED AND THE SIGNATURE MUST BE VERIFIED ON ANY ELECTRONIC COPIES.



Force Engineering & Testing

19530 Ramblewood Drive

Humble, Texas 77338

Phone: (281) 540-6603, Fax: (281) 540-9966

Website: forceengineeringtesting.com

Design Procedure:

Based on the dimensions of the structure, appropriate wind loads are determined using Chapter 16 of the Florida Building Code 2020 for roof cladding wind loads. These component wind loads for roof cladding are compared to the allowable pressure listed above. The design professional shall select the appropriate erection details to reference in his drawings for proper fastener attachment to his structure and analyze the panel fasteners for pullout and pullover. Support framing must be in compliance with Florida Building Code 2020 Chapter 22 for steel, Chapter 23 for wood and Chapter 16 for structural loading.

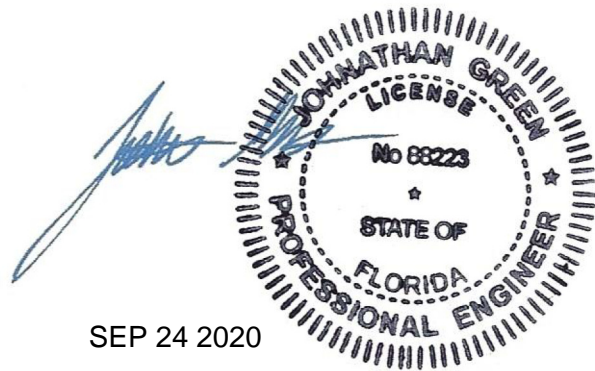
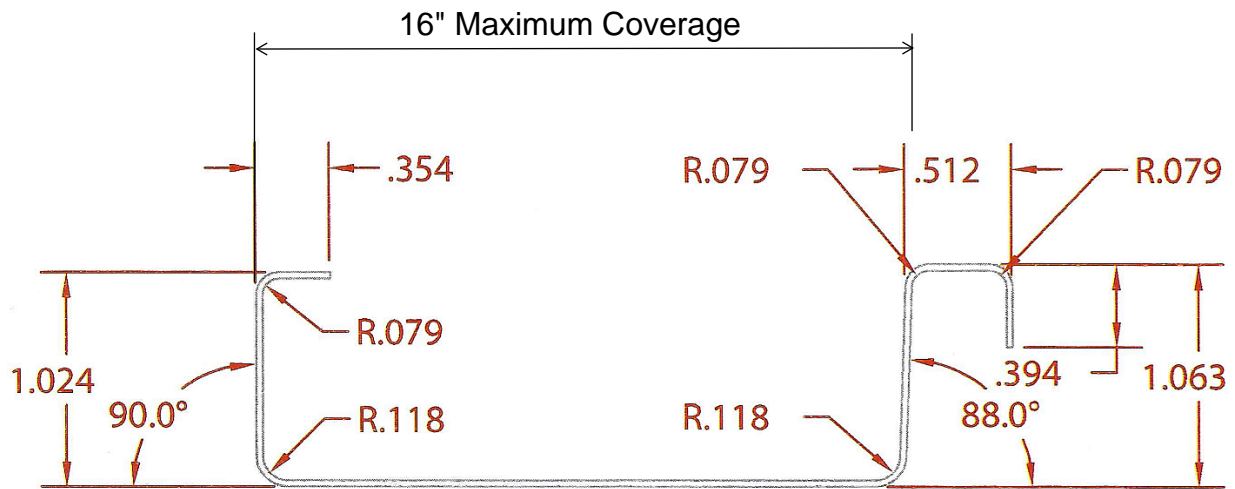
*The Test Reports are owned by Metalforming, Inc. Metalforming, Inc. gives the above manufacturer permission to use these test reports.



THIS ITEM HAS BEEN DIGITALLY SIGNED AND SEALED BY JOHNATHAN GREEN ON THE DATE ADJACENT TO THE SEAL.

PRINTED COPIES OF THIS DOCUMENT ARE NOT CONSIDERED SIGNED AND SEALED AND THE SIGNATURE MUST BE VERIFIED ON ANY ELECTRONIC COPIES.

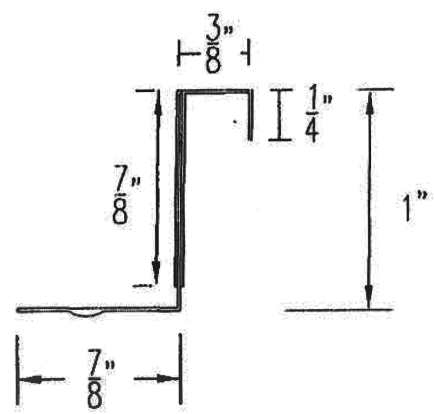
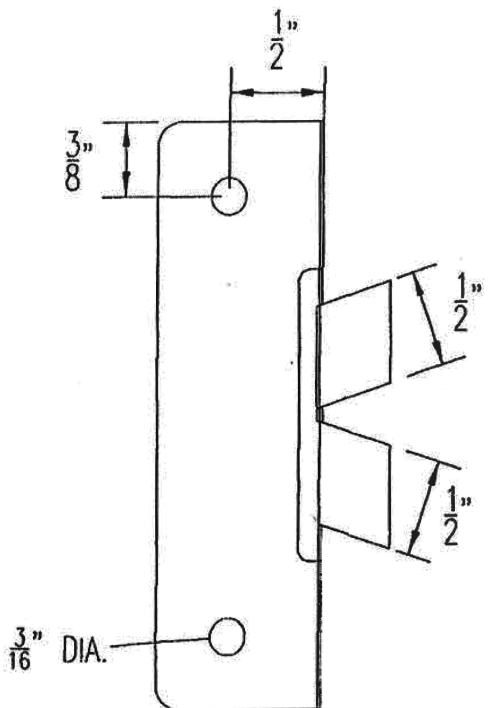
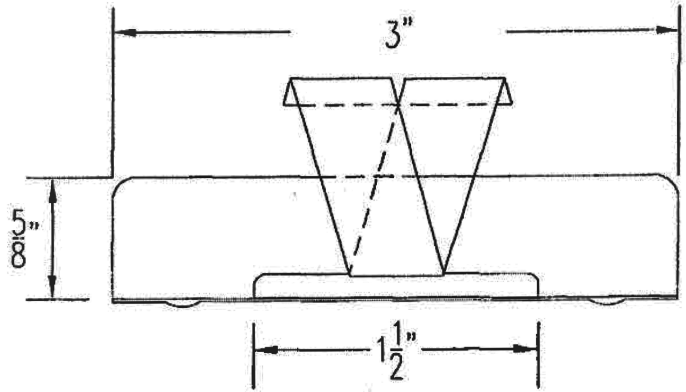
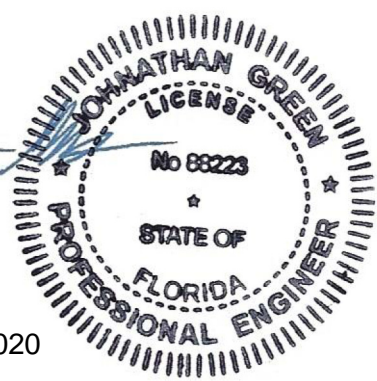
1 Inch Mechanical Seam Panel



THIS ITEM HAS BEEN DIGITALLY SIGNED AND SEALED BY JOHNATHAN GREEN ON THE DATE ADJACENT TO THE SEAL.

PRINTED COPIES OF THIS DOCUMENT ARE NOT CONSIDERED SIGNED AND SEALED AND THE SIGNATURE MUST BE VERIFIED ON ANY ELECTRONIC COPIES.

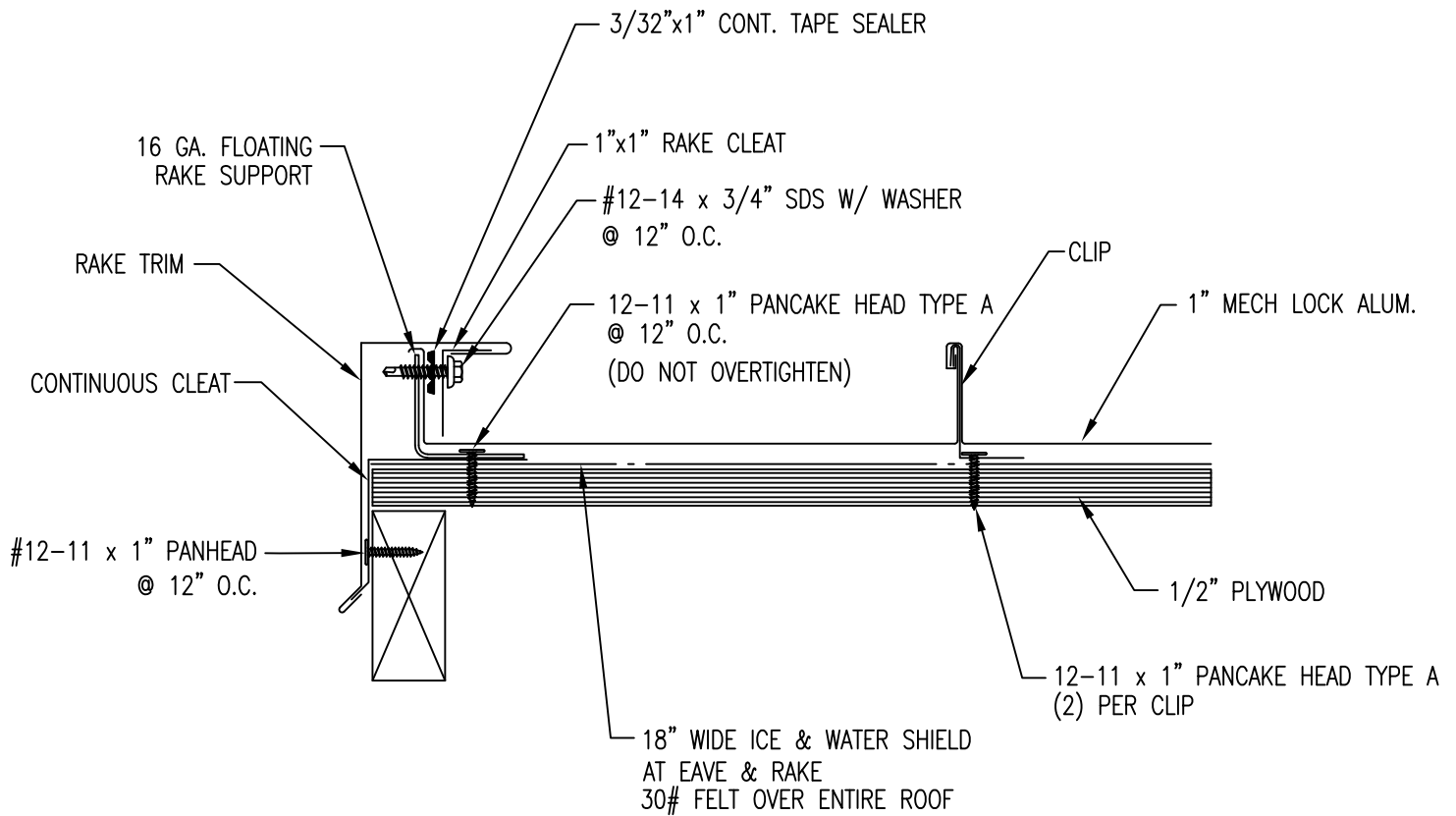
UC3 STAINLESS STEEL EXPANSION CLIP .015" THICK

SEP 24 2020

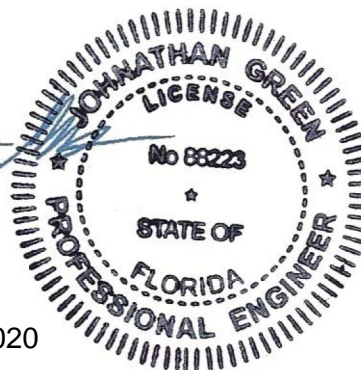
THIS ITEM HAS BEEN DIGITALLY SIGNED AND SEALED BY JOHNATHAN GREEN ON THE DATE ADJACENT TO THE SEAL.

PRINTED COPIES OF THIS DOCUMENT ARE NOT CONSIDERED SIGNED AND SEALED AND THE SIGNATURE MUST BE VERIFIED ON ANY ELECTRONIC COPIES.



Johnathan Green

SEP 24 2020



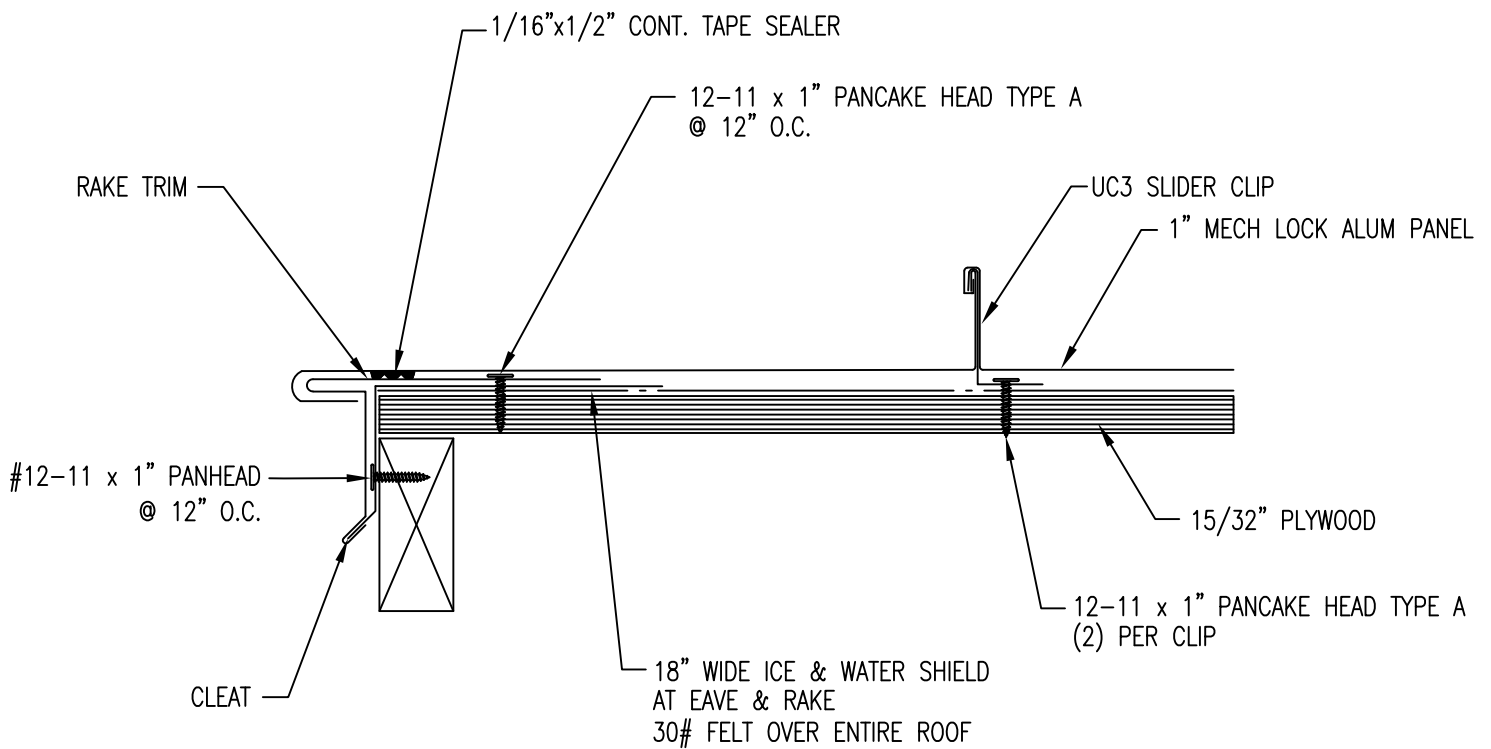
THIS ITEM HAS BEEN DIGITALLY SIGNED AND SEALED BY JOHNATHAN GREEN ON THE DATE ADJACENT TO THE SEAL.

PRINTED COPIES OF THIS DOCUMENT ARE NOT CONSIDERED SIGNED AND SEALED AND THE SIGNATURE MUST BE VERIFIED ON ANY ELECTRONIC COPIES.



FLOATING RAKE

SENTRIGARD ML 100AH



Johnathan Green

JOHNATHAN GREEN
LICENSE
No 88223
STATE OF
FLORIDA
PROFESSIONAL ENGINEER

SEP 24 2020

THIS ITEM HAS BEEN DIGITALLY SIGNED AND SEALED BY JOHNATHAN GREEN ON THE DATE ADJACENT TO THE SEAL.

PRINTED COPIES OF THIS DOCUMENT ARE NOT CONSIDERED SIGNED AND SEALED AND THE SIGNATURE MUST BE VERIFIED ON ANY ELECTRONIC COPIES.

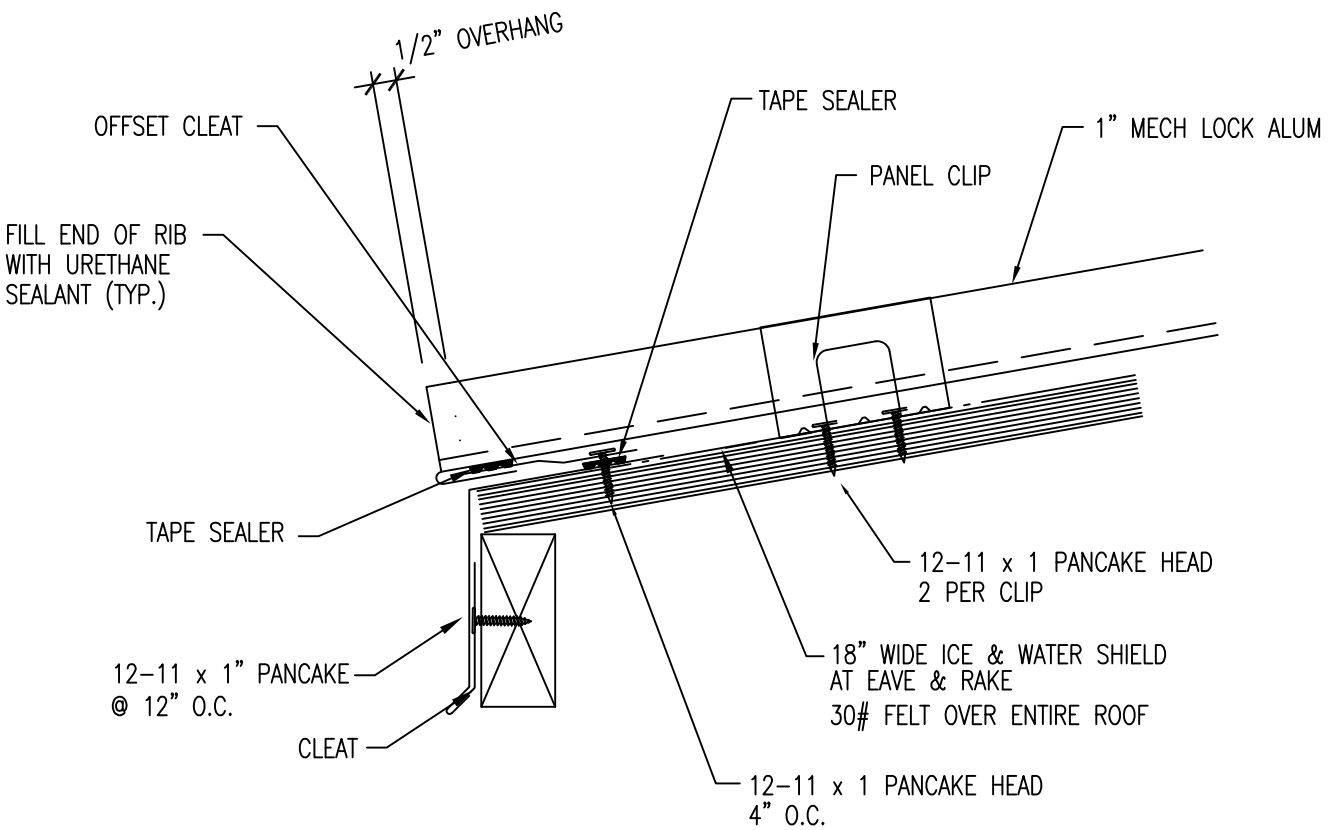
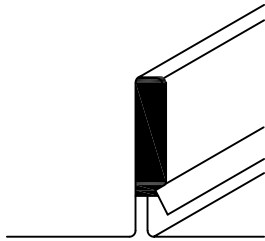
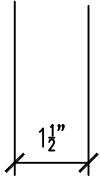
FLOATING RAKE

METALFORMING

ARCHITECTURAL MACHINES

1 1/2"

FIELD NOTCH PANEL
LEGS AND BEND PAN
TO FORM OPEN HEM



Johnathan Green
JOHNATHAN GREEN
LICENSE
No 68223
STATE OF
FLORIDA
PROFESSIONAL ENGINEER

SEP 24 2020

THIS ITEM HAS BEEN DIGITALLY SIGNED AND SEALED BY JOHNATHAN GREEN ON THE DATE ADJACENT TO THE SEAL.
PRINTED COPIES OF THIS DOCUMENT ARE NOT CONSIDERED SIGNED AND SEALED AND THE SIGNATURE MUST BE VERIFIED ON ANY ELECTRONIC COPIES.

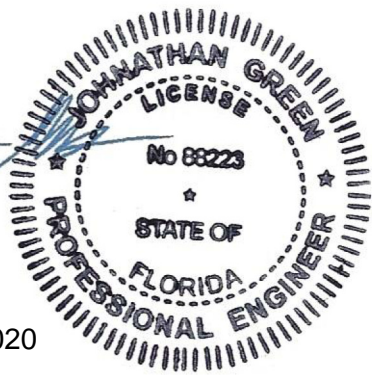
FLAOTING EAVE



SENTRIGARD ML 100AH

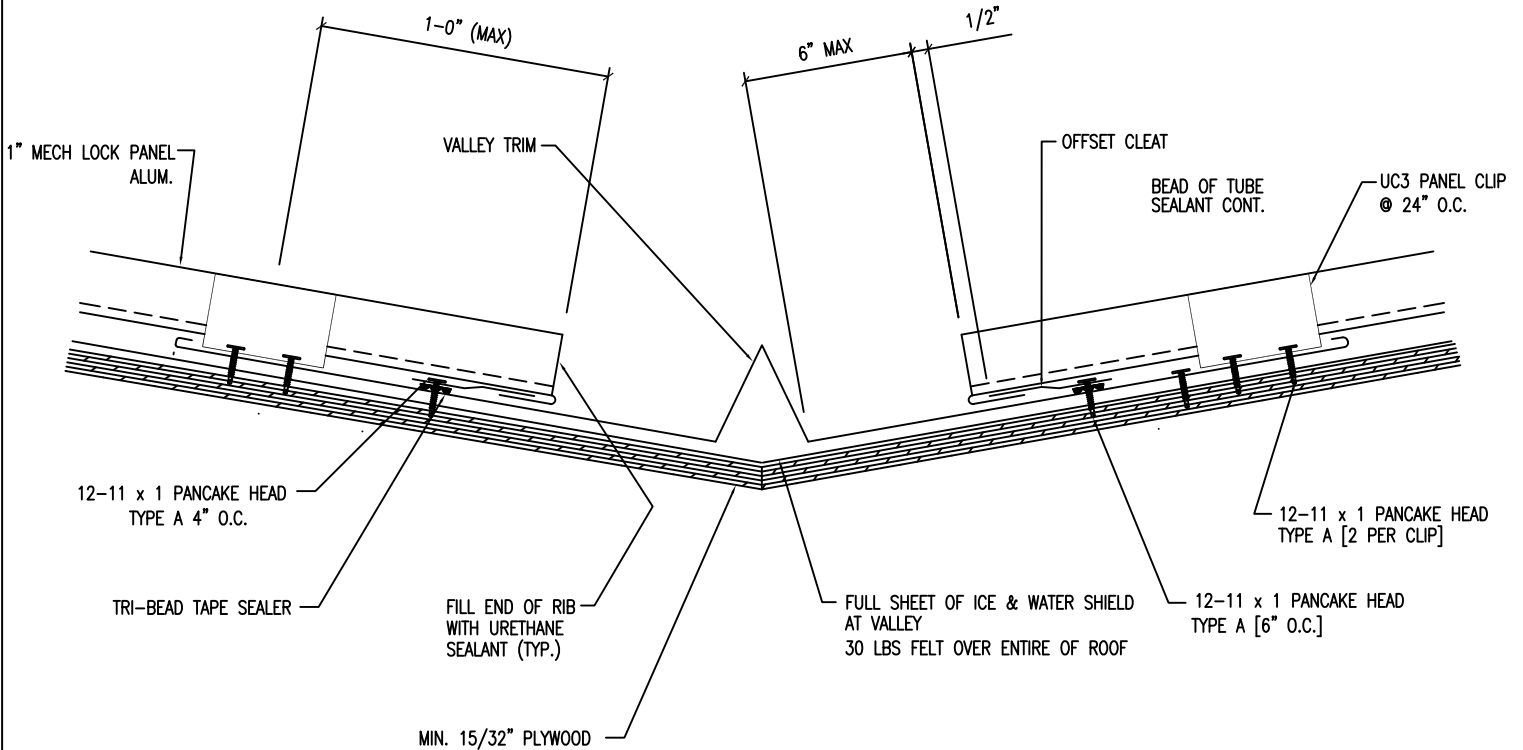
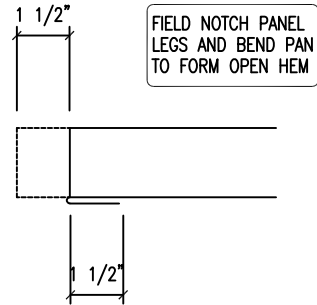
THIS ITEM HAS BEEN DIGITALLY SIGNED AND SEALED BY JOHNATHAN GREEN ON THE DATE ADJACENT TO THE SEAL.

PRINTED COPIES OF THIS DOCUMENT ARE NOT CONSIDERED SIGNED AND SEALED AND THE SIGNATURE MUST BE VERIFIED ON ANY ELECTRONIC COPIES.



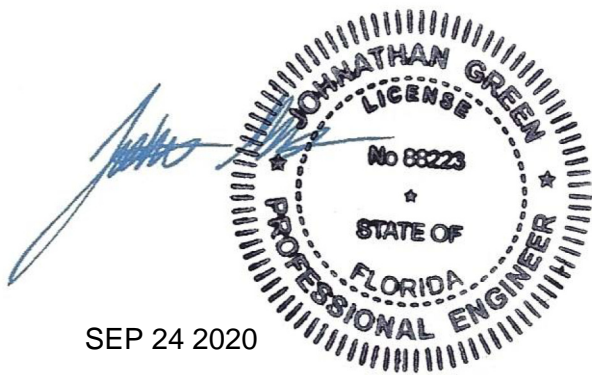
Johnathan Green

SEP 24 2020



FLOATING VALLEY

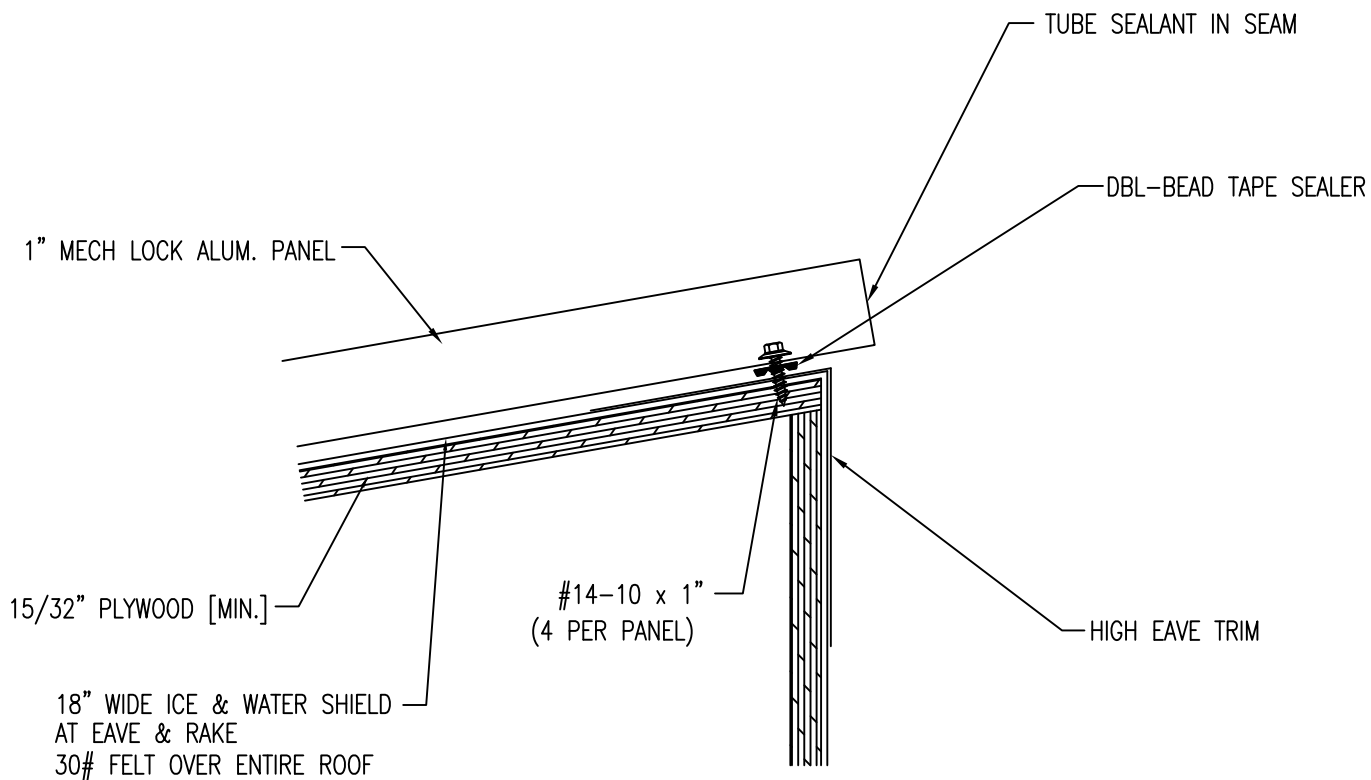
SENTRIGARD ML 100AH



SEP 24 2020

THIS ITEM HAS BEEN
DIGITALLY SIGNED AND
SEALED BY JOHNATHAN
GREEN ON THE DATE
ADJACENT TO THE SEAL.

PRINTED COPIES OF THIS
DOCUMENT ARE NOT
CONSIDERED SIGNED AND
SEALED AND THE
SIGNATURE MUST BE
VERIFIED ON ANY
ELECTRONIC COPIES.



sentrigard
metal roofing systems

HIGH EAVE DETAIL

SENTRIGARD ML 100AH