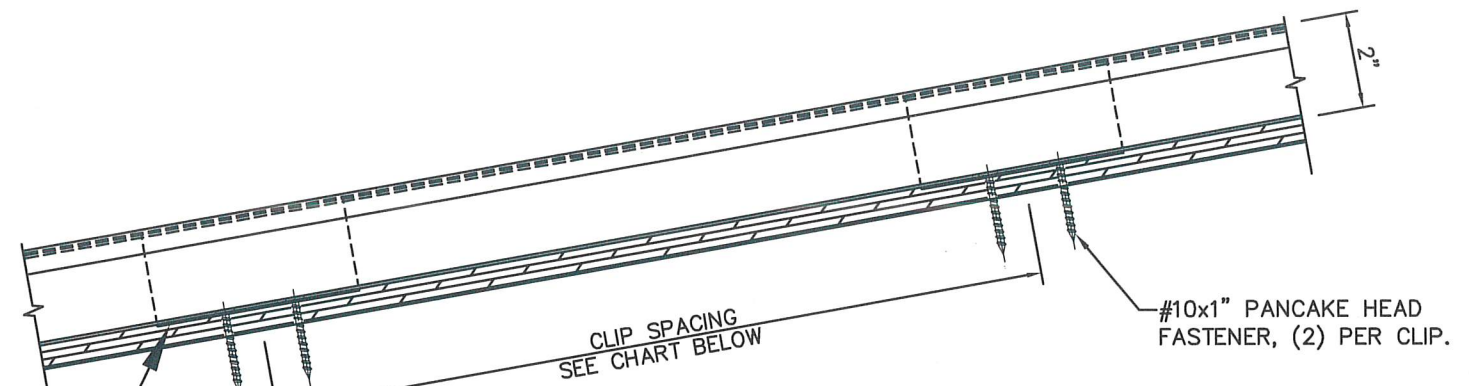
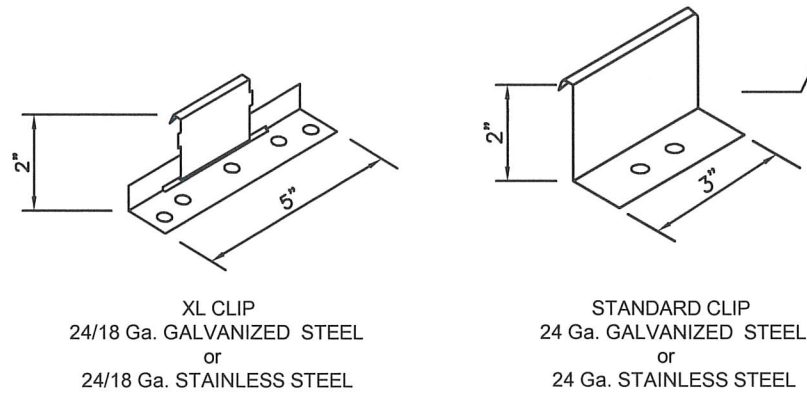


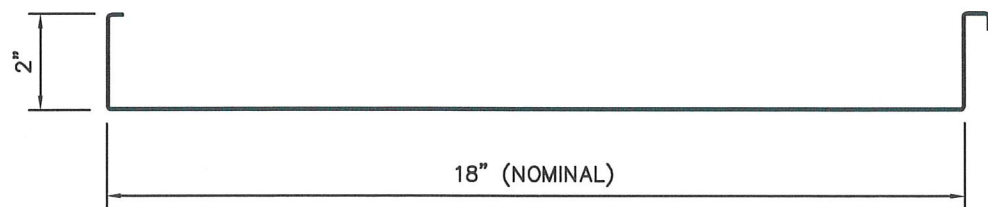
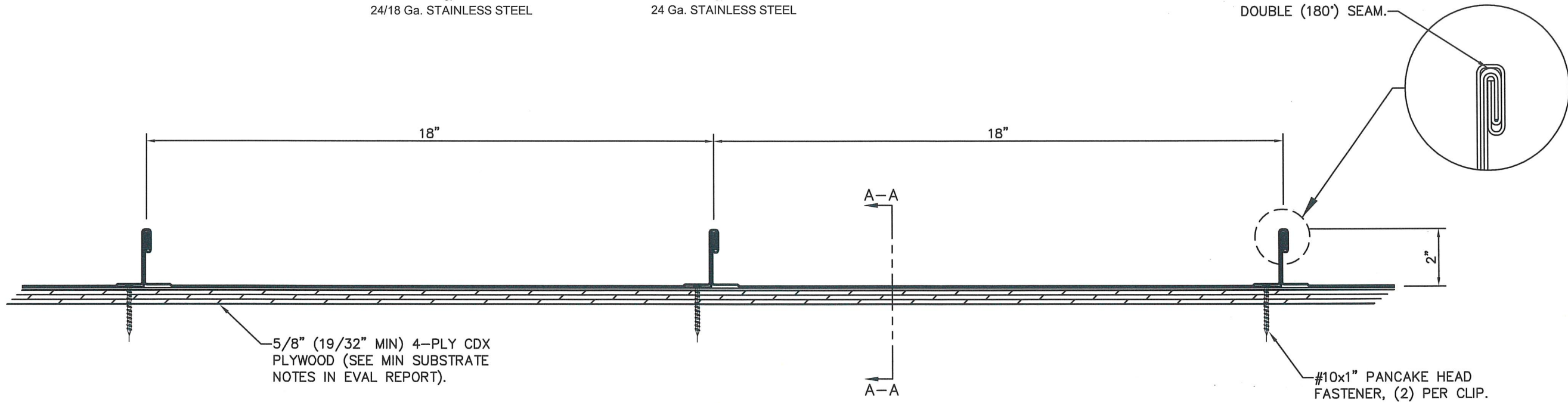
SENTRIGARD ML200 SERIES 24 Ga. STEEL ROOF PANEL
18" WIDE x 2" STANDING SEAM PANELS OVER 5/8" PLYWOOD
WITH DOUBLE (180°) SEAM

MAX DESIGN PRESSURE	
-93.5 Psf	(36" CLIP SPACING)
-119.75 Psf	(24" CLIP SPACING)
-198.5 Psf	(6" CLIP SPACING)

CLIP OPTIONS



SECTION A-A



PANEL PROFILE

GENERAL NOTES:

1. ROOF SLOPE IS LIMITED PER THE REQUIREMENTS OF FBC SECTION 1515.2.
2. DESIGN OF SUBSTRATE IS BY OTHERS AND NOT A PART OF THIS APPROVAL.
3. SEE EVAL REPORT FOR UNDERLAYMENT, FIRE BARRIER, AND DECK FASTENER INFO.
4. ALL PANEL SYSTEM PERIMETERS, PENETRATIONS, AND TRANSITIONS TO BE FLASHED AND SEALED PER THE MANUFACTURER'S INSTALLATION INSTRUCTIONS AND RAS 133.

DATE	6/25/24
REV.#	
PRINTS ISSUED FOR	1
TEST SUBMITTAL	

SCOTT WOLTERS
 FL PE# 62354

WOLTERS ENGINEERING
 (COA# 27194)
 15211 97TH ROAD N
 WEST PALM BEACH, FL 33412
 (561) 225-1982

SENTRIGARD
METAL ROOFING SYSTEMS

PH: (434) 847-2445
 www.sentrigard.com

65 10TH STREET
 LYNCHBURG, VA 24504

DWG:
ML20S18-HZ
 SHEET:
1/1