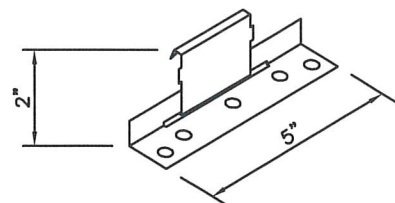


# SENTRIGARD ML200 SERIES 24 Ga. STEEL ROOF PANEL

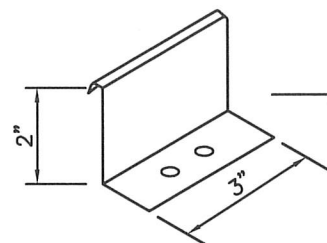
## 18" WIDE x 2" STANDING SEAM PANELS OVER 5/8" PLYWOOD

### WITH DOUBLE (180°) SEAM

MAX DESIGN PRESSURE	
-93.5 Psf	(36" CLIP SPACING)
-131 Psf	(24" CLIP SPACING)
-198.5 Psf	(6" CLIP SPACING)

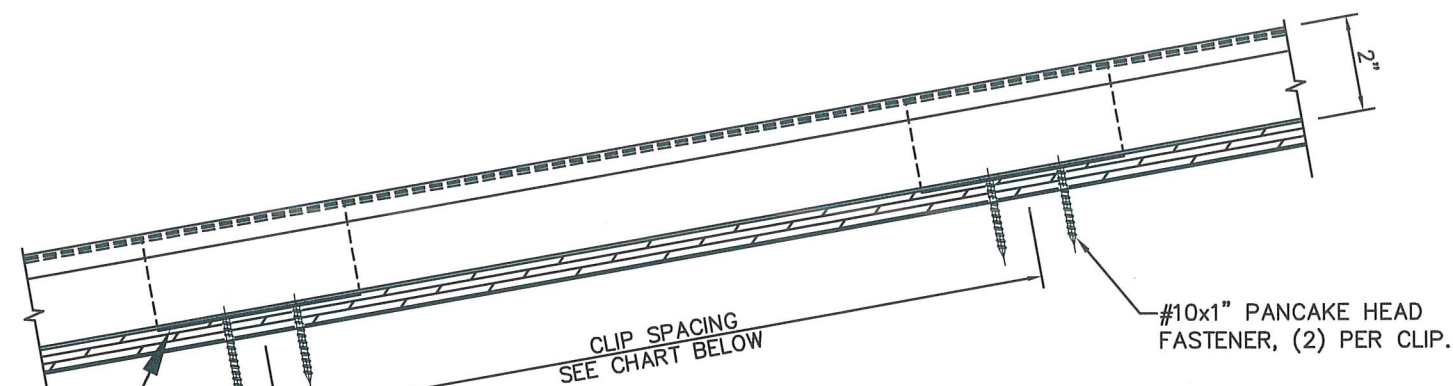


**XL CLIP**  
24/18 Ga. GALVANIZED STEEL  
or  
24/18 Ga. STAINLESS STEEL

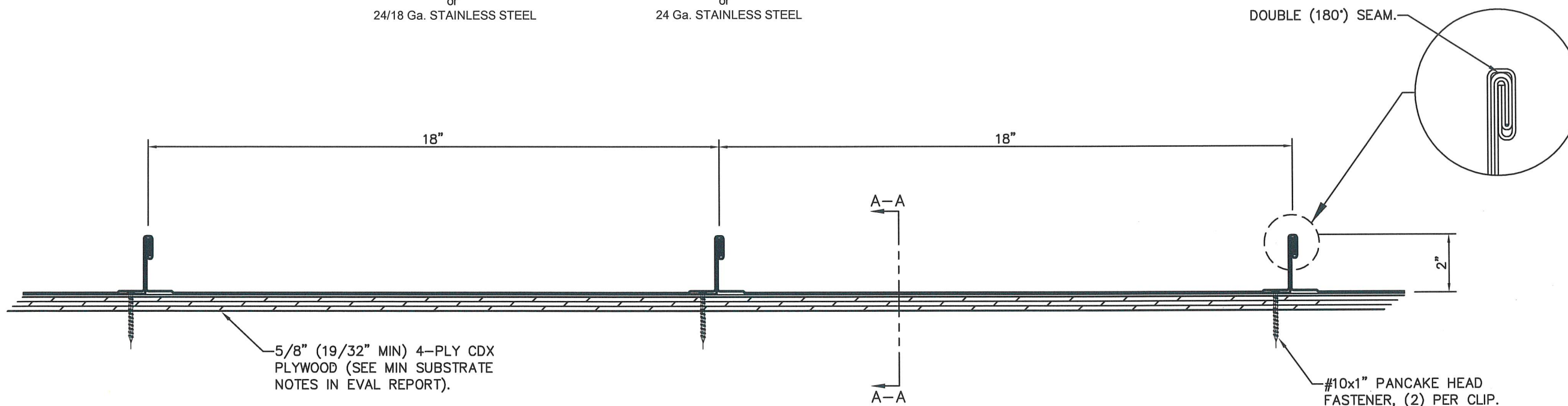


**STANDARD CLIP**  
24 Ga. GALVANIZED STEEL  
or  
24 Ga. STAINLESS STEEL

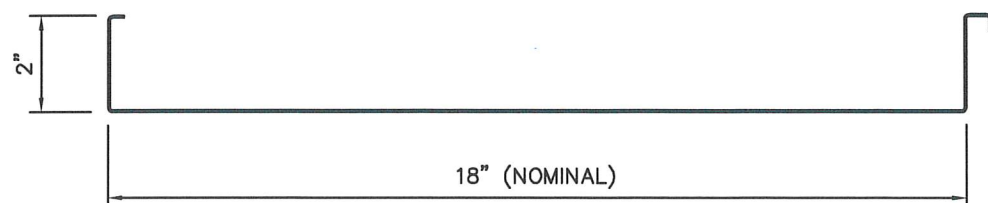
#### CLIP OPTIONS



#### SECTION A-A



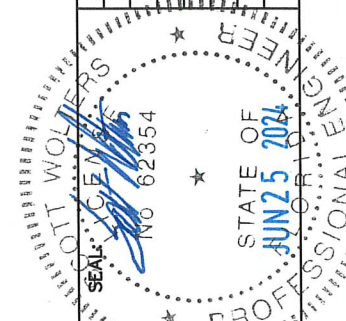
5/8" (19/32" MIN) 4-PLY CDX PLYWOOD (SEE MIN SUBSTRATE NOTES IN EVAL REPORT).



#### PANEL PROFILE

#### GENERAL NOTES:

1. ROOF SLOPE IS LIMITED PER THE REQUIREMENTS OF FBC SECTION 1507.4.2.
2. DESIGN OF SUBSTRATE IS BY OTHERS AND NOT A PART OF THIS APPROVAL.
3. SEE EVAL REPORT FOR UNDERLAYMENT, FIRE BARRIER, AND DECK FASTENER INFO.
4. ALL PANEL SYSTEM PERIMETERS, PENETRATIONS, AND TRANSITIONS TO BE FLASHED AND SEALED PER THE MANUFACTURER'S INSTALLATION INSTRUCTIONS AND RAS 133.



SCOTT WOLTERS  
FL PE# 62354  
WOLTERS ENGINEERING  
(COA# 27194)  
15211 97TH ROAD N  
WEST PALM BEACH, FL 33412  
(561) 225-1982

**SENTRIGARD**  
METAL ROOFING SYSTEMS



PH: (434) 847-2445  
www.sentrigard.com

65 10TH STREET  
LYNCHBURG, VA 24504

DWG: **ML20S18**  
SHEET: **1/1**

REV.#	DATE
1	6/25/24

PRINTS ISSUED FOR