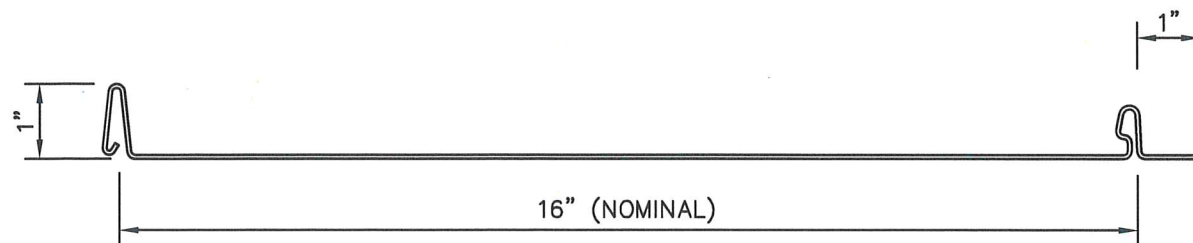
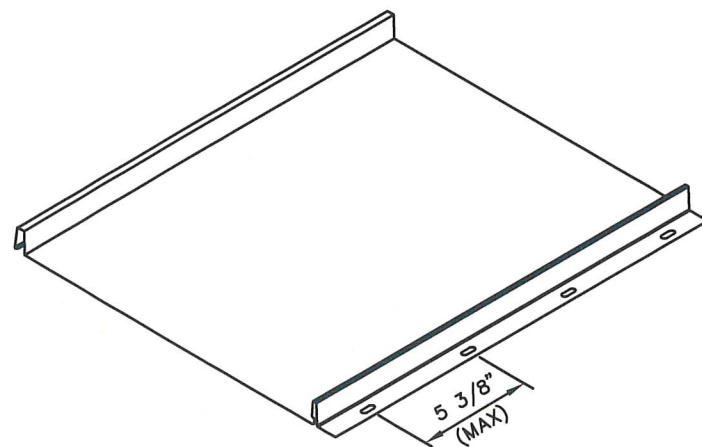
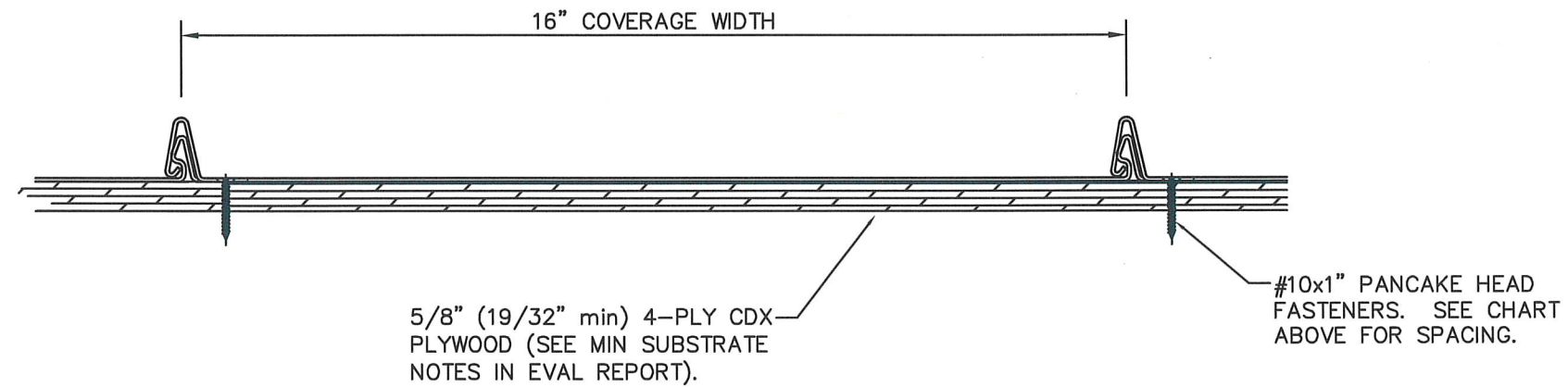


SENTRIGARD NS100 SERIES 0.032" ALUMINUM ROOF PANEL
16" WIDE x 1" NAILSTRIP PANELS OVER 5/8" PLYWOOD

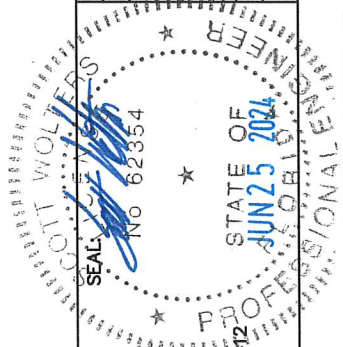
MAX DESIGN PRESSURE	
-86 Psf	(10 3/4" FASTENER SPACING)
-93.5 Psf	(5 3/8" FASTENER SPACING)



PANEL PROFILE

GENERAL NOTES:

1. ROOF SLOPE IS LIMITED PER THE REQUIREMENTS OF FBC SECTION 1515.2.
2. DESIGN OF SUBSTRATE IS BY OTHERS AND NOT A PART OF THIS APPROVAL.
3. SEE EVAL REPORT FOR UNDERLAYMENT, FIRE BARRIER, AND DECK FASTENER INFO.
4. ALL PANEL SYSTEM PERIMETERS, PENETRATIONS, AND TRANSITIONS TO BE FLASHED AND SEALED PER THE MANUFACTURER'S INSTALLATION INSTRUCTIONS AND RAS 133.



SCOTT WOLTERS
 FL PE# 62354
 WOLTERS ENGINEERING
 (COA# 27194)
 15211 97TH ROAD N
 WEST PALM BEACH, FL 33412
 (561) 225-1982

SENTRIGARD
METAL ROOFING SYSTEMS

PH: (434) 847-2445
 www.sentrigard.com

65 10TH STREET
 LYNCHBURG, VA 24504

DWG: **NS10A16-HZ**
 SHEET: **1/1**

REV.#	DATE	1ST SUBMITTAL	PRINTS ISSUED FOR
-	6/25/24	-	-