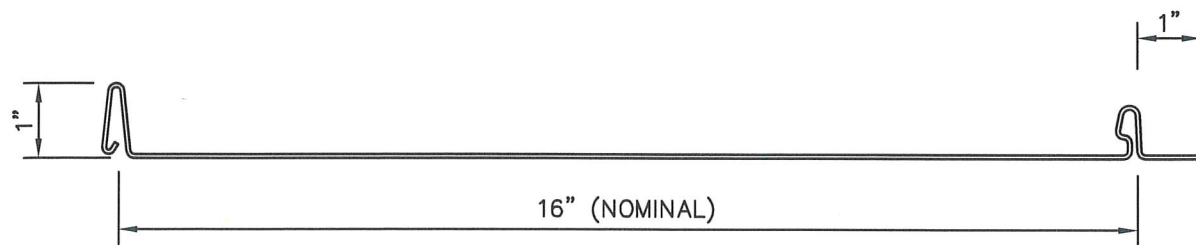
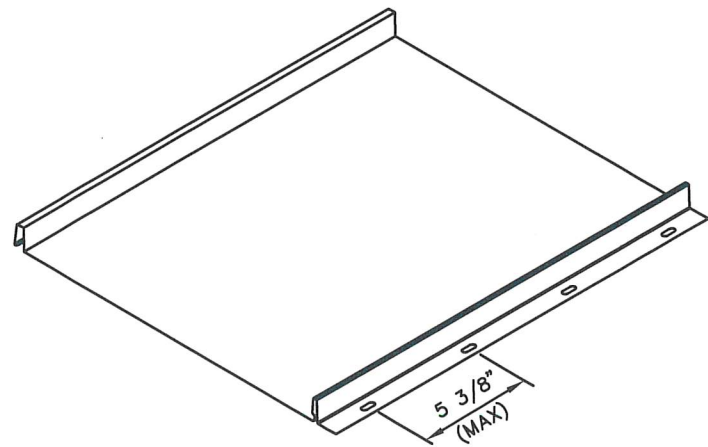
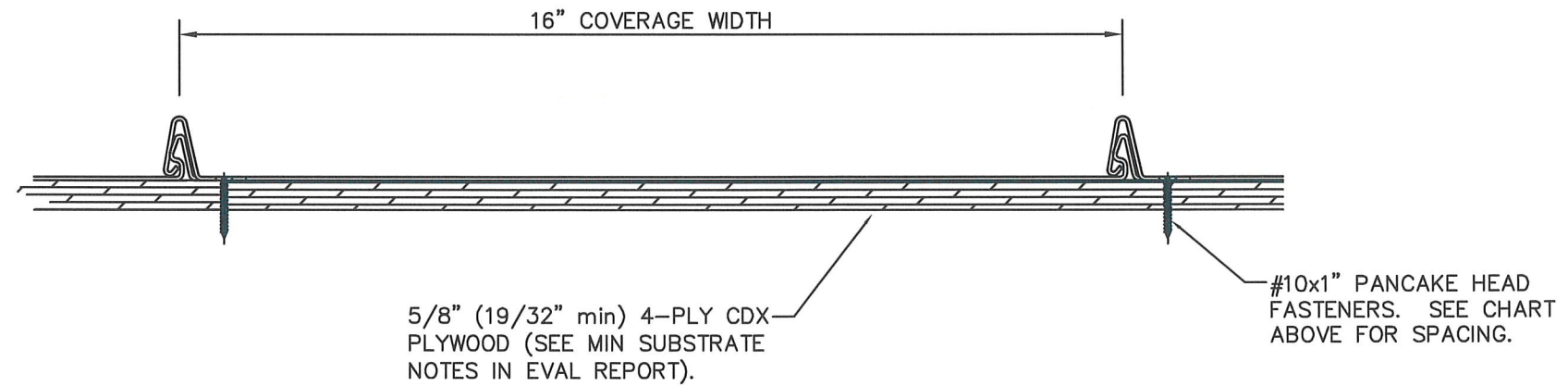


**SENTRIGARD NS100 SERIES 26 Ga. STEEL ROOF PANEL**  
**16" WIDE x 1" NAILSTRIP PANELS OVER 5/8" PLYWOOD**

MAX DESIGN PRESSURE	
-82.25 Psf	(10 3/4" FASTENER SPACING)
-108.5 Psf	(5 3/8" FASTENER SPACING)



PANEL PROFILE

GENERAL NOTES:

1. ROOF SLOPE IS LIMITED PER THE REQUIREMENTS OF FBC SECTION 1515.2.
2. DESIGN OF SUBSTRATE IS BY OTHERS AND NOT A PART OF THIS APPROVAL.
3. SEE EVAL REPORT FOR UNDERLAYMENT, FIRE BARRIER, AND DECK FASTENER INFO.
4. ALL PANEL SYSTEM PERIMETERS, PENETRATIONS, AND TRANSITIONS TO BE FLASHED AND SEALED PER THE MANUFACTURER'S INSTALLATION INSTRUCTIONS AND RAS 133.



SCOTT WALTERS  
 FL PE# 62354  
 WALTERS ENGINEERING  
 (COA# 27194)  
 15211 97TH ROAD N  
 WEST PALM BEACH, FL 33412  
 (561) 225-1962

**SENTRIGARD**  
**METAL ROOFING SYSTEMS**

PH: (434) 847-2445  
 www.sentrigard.com

65 10TH STREET  
 LYNCHBURG, VA 24504

DWG: NS10S16-HZ  
 SHEET: 1/1

REV.#	DATE	PRINTS ISSUED FOR
1	6/25/24	1ST SUBMITTAL