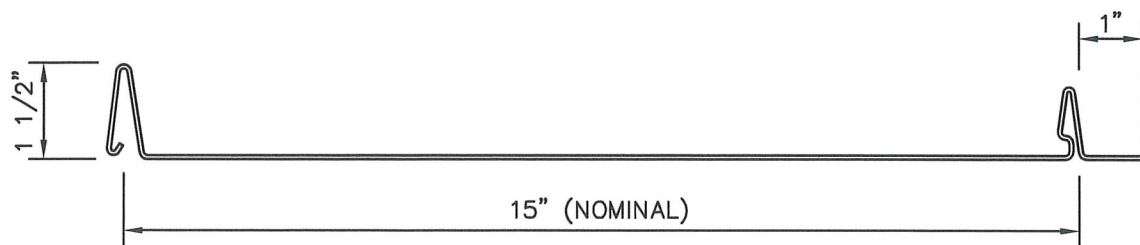
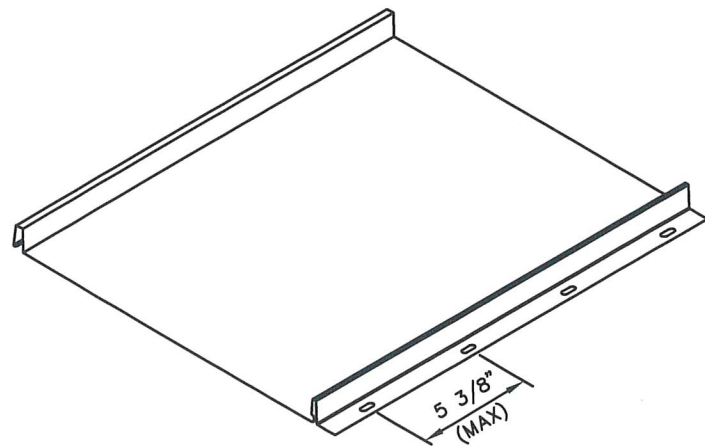
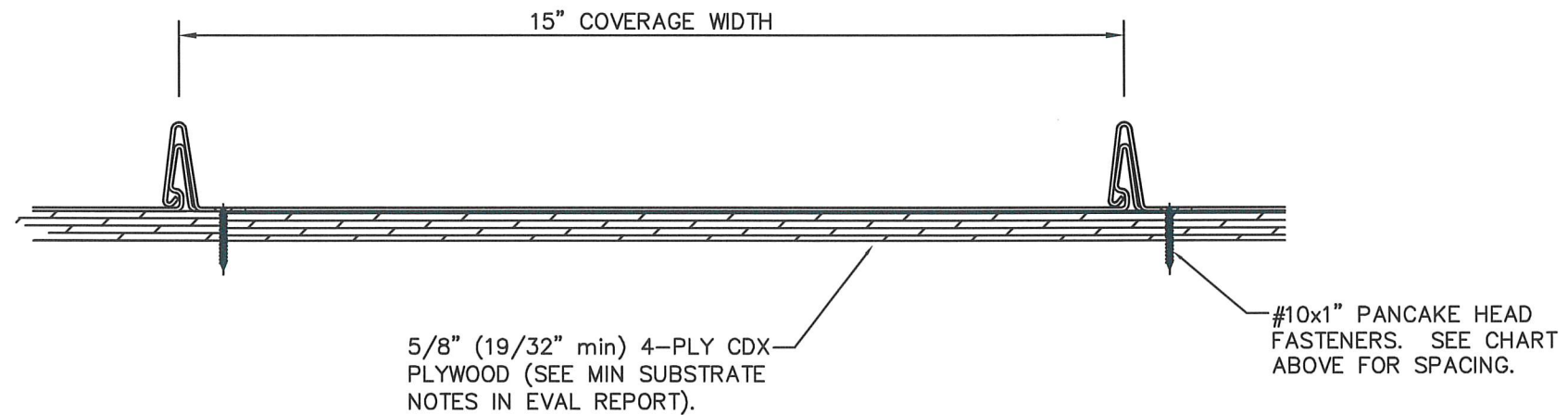


# SENTRIGARD NS150 SERIES 24 Ga. STEEL ROOF PANEL

## 15" WIDE x 1 1/2" NAILSTRIP PANELS OVER 5/8" PLYWOOD

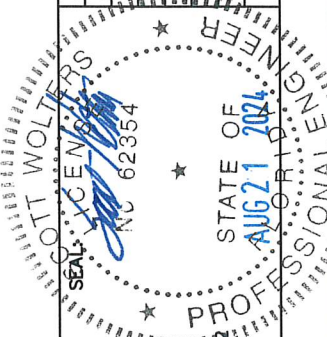
MAX DESIGN PRESSURE	
-93.5 Psf	(10 3/4" FASTENER SPACING)
-131 Psf	(5 3/8" FASTENER SPACING)



PANEL PROFILE

GENERAL NOTES:

1. ROOF SLOPE IS LIMITED PER THE REQUIREMENTS OF FBC SECTION 1515.2.
2. DESIGN OF SUBSTRATE IS BY OTHERS AND NOT A PART OF THIS APPROVAL.
3. SEE EVAL REPORT FOR UNDERLAYMENT, FIRE BARRIER, AND DECK FASTENER INFO.
4. ALL PANEL SYSTEM PERIMETERS, PENETRATIONS, AND TRANSITIONS TO BE FLASHED AND SEALED PER THE MANUFACTURER'S INSTALLATION INSTRUCTIONS AND RAS 133.



SCOTT WOLTERS  
FL PE# 62354

WOLTERS ENGINEERING  
(CO.# 27194)  
15211 97TH ROAD N  
WEST PALM BEACH, FL 33412  
(561) 225-1982

**SENTRIGARD**  
METAL ROOFING SYSTEMS

PH: (434) 847-2445  
www.sentrigard.com

65 10TH STREET  
LYNCHBURG, VA 24504

DWG: NS15S15-HZ  
SHEET: 1/1

REV.#	ISSUED FOR	DATE
1	TEST SUBMITTAL PRINTS	8/21/24