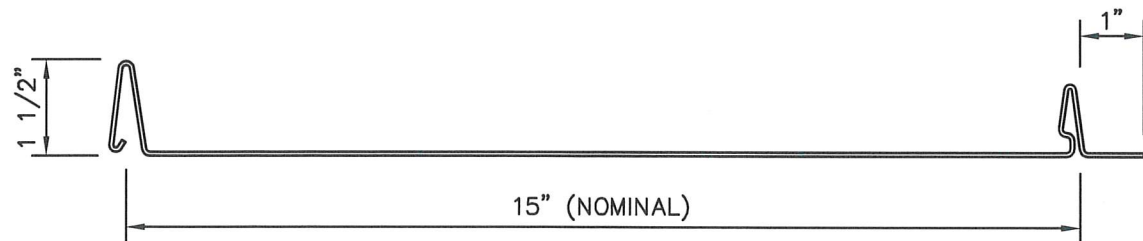
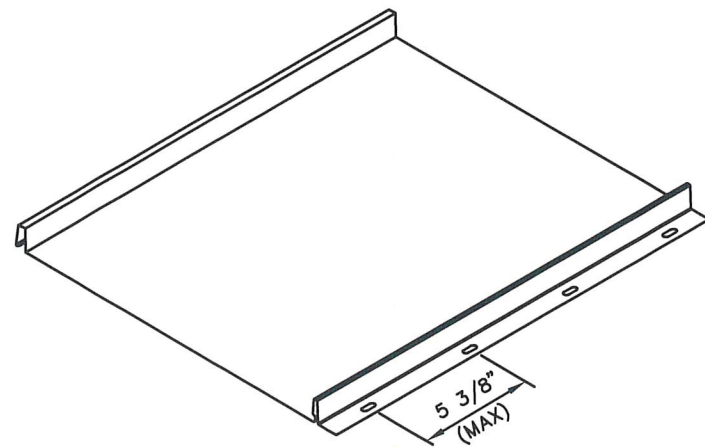
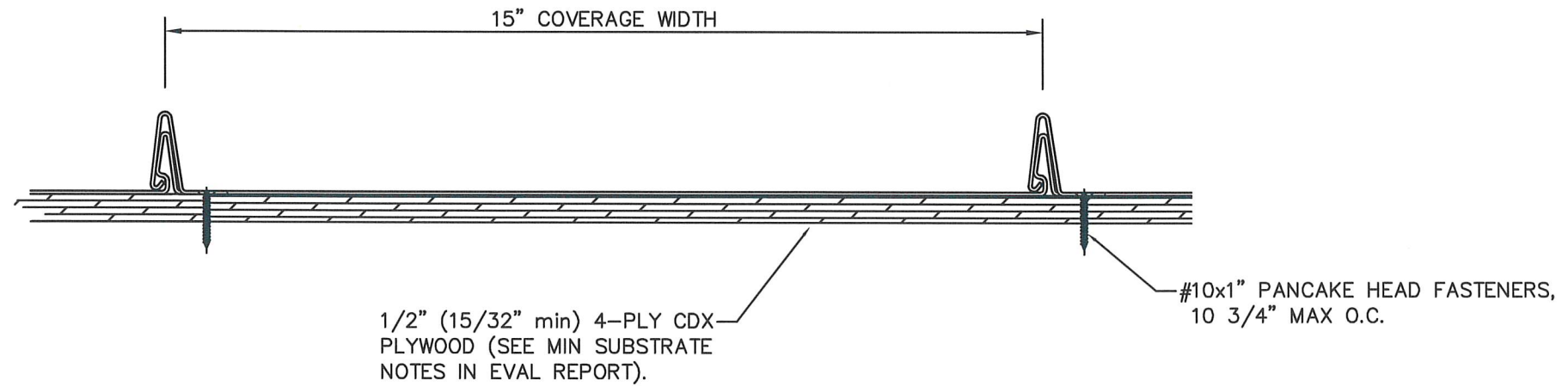


SENTRIGARD NS150 SERIES 0.032" ALUMINUM ROOF PANEL
15" WIDE x 1 1/2" NAILSTRIP PANELS OVER 1/2" PLYWOOD

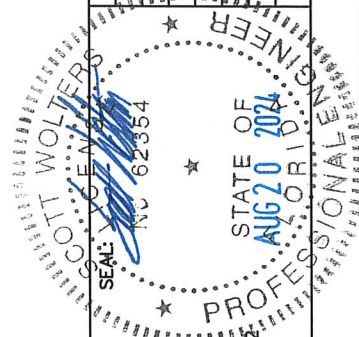
MAX DESIGN PRESSURE
-78.5 Psf (10 3/4" FASTENER SPACING)



PANEL PROFILE

GENERAL NOTES:

1. ROOF SLOPE IS LIMITED PER THE REQUIREMENTS OF FBC SECTION 1507.4.2.
2. DESIGN OF SUBSTRATE IS BY OTHERS AND NOT A PART OF THIS APPROVAL.
3. SEE EVAL REPORT FOR UNDERLAYMENT, FIRE BARRIER, AND DECK FASTENER INFO.
4. ALL PANEL SYSTEM PERIMETERS, PENETRATIONS, AND TRANSITIONS TO BE FLASHED AND SEALED PER THE MANUFACTURER'S INSTALLATION INSTRUCTIONS AND RAS 133.



SCOTT WALTERS
 FL PE# 62354
 WALTERS ENGINEERING
 (CO.# 27194)
 15211 97TH ROAD N
 WEST PALM BEACH, FL 33412
 (561) 225-1982

SENTRIGARD
METAL ROOFING SYSTEMS

PH: (434) 847-2445
 www.sentrigard.com

65 10TH STREET
 LYNCHBURG, VA 24504

DWG: NS15A1512
 SHEET: 1/1

DATE	8/20/24
REV.#	
ISSUED FOR	
PRINTS	
LIST SUBMITTAL	