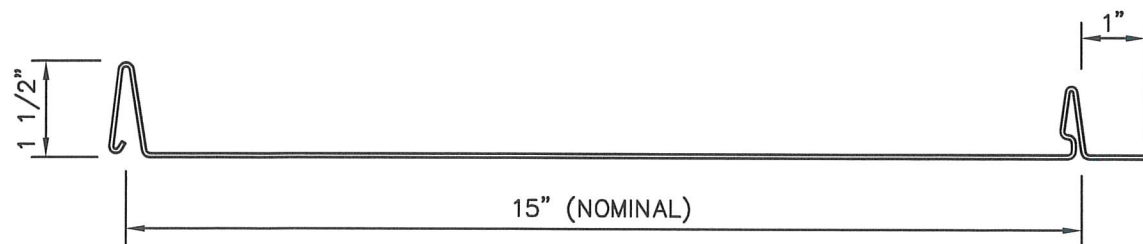
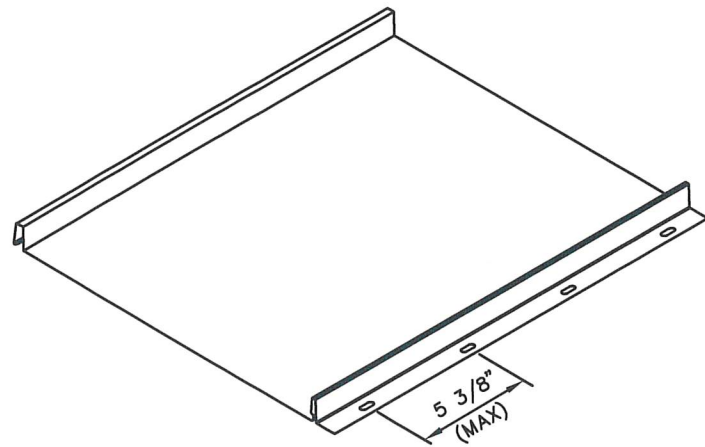
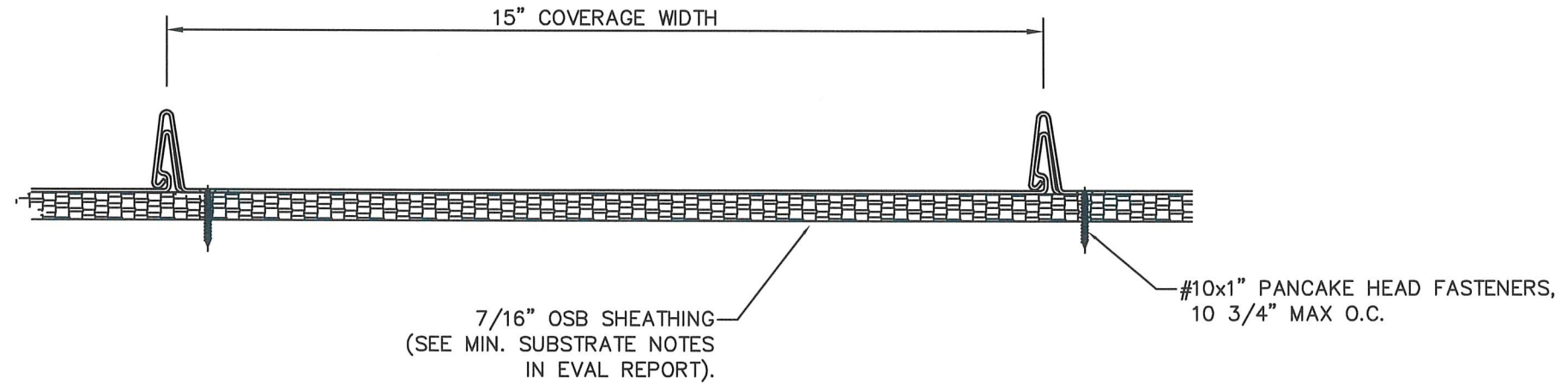


SENTRIGARD NS150 SERIES 0.032" ALUMINUM ROOF PANEL
15" WIDE x 1 1/2" NAILSTRIP PANELS OVER 7/16" OSB SHEATHING

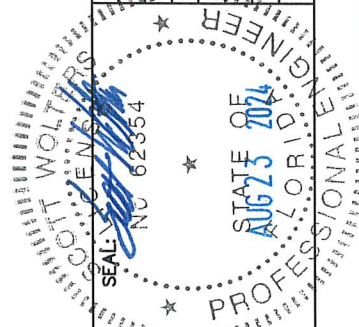
MAX DESIGN PRESSURE
-37.5 Psf (10 3/4" FASTENER SPACING)



PANEL PROFILE

GENERAL NOTES:

1. ROOF SLOPE IS LIMITED PER THE REQUIREMENTS OF FBC SECTION 1507.4.2.
2. DESIGN OF SUBSTRATE IS BY OTHERS AND NOT A PART OF THIS APPROVAL.
3. SEE EVAL REPORT FOR UNDERLAYMENT, FIRE BARRIER, AND DECK FASTENER INFO.
4. ALL PANEL SYSTEM PERIMETERS, PENETRATIONS, AND TRANSITIONS TO BE FLASHED AND SEALED PER THE MANUFACTURER'S INSTALLATION INSTRUCTIONS AND RAS 133.



SCOTT WOLTERS
FL PE# 62354

WOLTERS ENGINEERING
(COA# 27194)
15211 97TH ROAD N
WEST PALM BEACH, FL 33412
(961) 225-1982

SENTRIGARD
METAL ROOFING SYSTEMS



DWG: NS15A150SB
SHEET: 1/1

PH: (434) 847-2445
www.sentrigard.com

65 10TH STREET
LYNCHBURG, VA 24504

DATE	8/23/24
REV#	
PRINTS ISSUED FOR	
1ST SUBMITTAL	