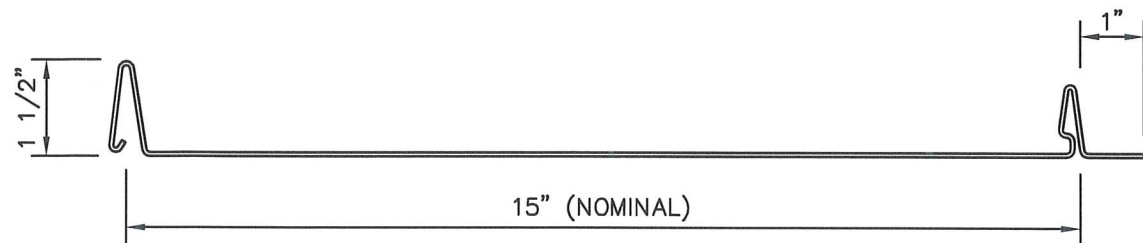
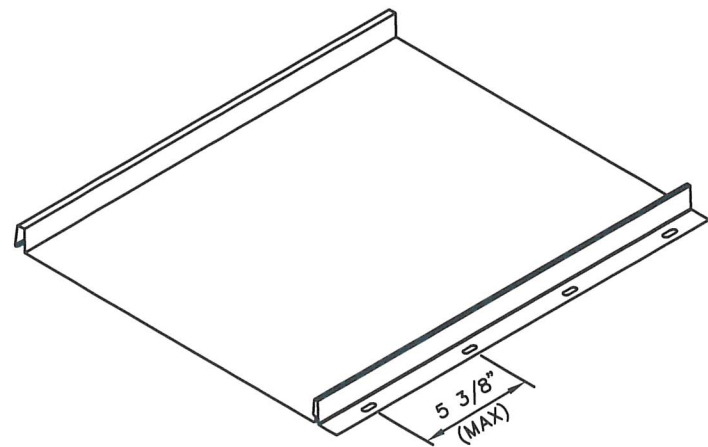
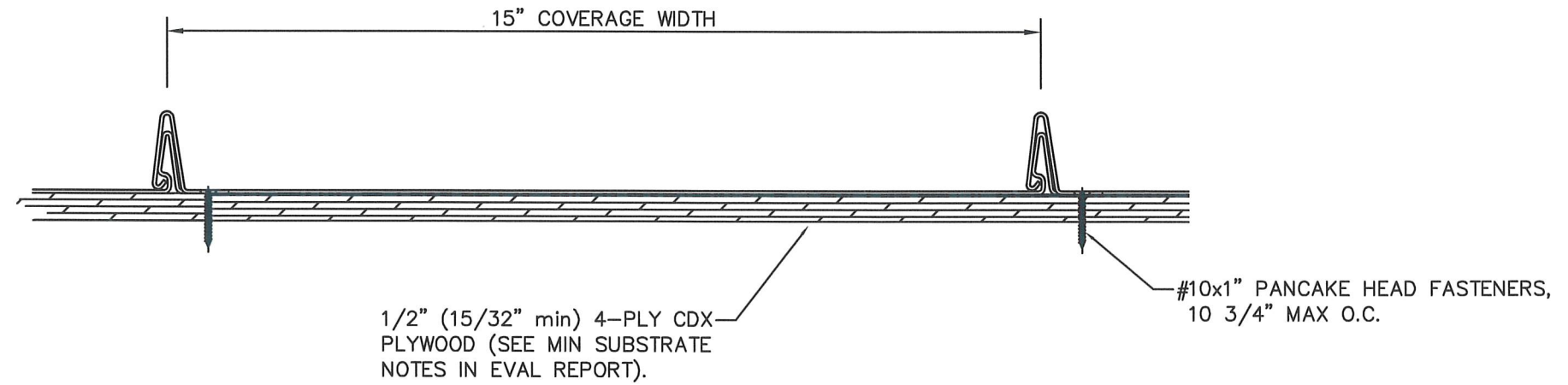


SENTRIGARD NS150 SERIES 24 Ga. STEEL ROOF PANEL
15" WIDE x 1 1/2" NAILSTRIP PANELS OVER 1/2" PLYWOOD

MAX DESIGN PRESSURE
-93.5 Psf (10 3/4" FASTENER SPACING)



PANEL PROFILE

GENERAL NOTES:

1. ROOF SLOPE IS LIMITED PER THE REQUIREMENTS OF FBC SECTION 1507.4.2.
2. DESIGN OF SUBSTRATE IS BY OTHERS AND NOT A PART OF THIS APPROVAL.
3. SEE EVAL REPORT FOR UNDERLAYMENT, FIRE BARRIER, AND DECK FASTENER INFO.
4. ALL PANEL SYSTEM PERIMETERS, PENETRATIONS, AND TRANSITIONS TO BE FLASHED AND SEALED PER THE MANUFACTURER'S INSTALLATION INSTRUCTIONS AND RAS 133.

DATE	8/20/24
REV.#	
PRINTS ISSUED FOR	
TEST SUBMITTAL	

SCOTT WOLTERS
 FL PE# 62354

WOLTERS ENGINEERING
 (COA# 27194)
 15211 97TH ROAD N
 WEST PALM BEACH, FL 33412
 (561) 225-1982

STATE OF FLORIDA
 AUG 20 2024
 PROFESSIONAL ENGINEER

SENTRIGARD
METAL ROOFING SYSTEMS

PH: (434) 847-2445
 www.sentrigard.com

65 10TH STREET
 LYNCHBURG, VA 24504

DWG: NS15S1512
 SHEET: 1/1