

SENTRIGARD NS 150H, 24 GA., 15 1/2" WIDE LOAD TABLE OVER 15/32" PLYWOOD



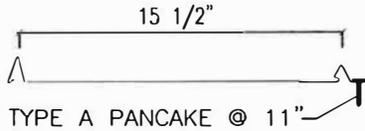
SENTRIGARD
METAL ROOFING SYSTEMS

Buildings having a Roof Mean Height \leq 20'-0"; Roof Slope: 2"/12" -6"/12" Gable or Hip Roof
Wind Speeds 140-180 mph, Exp C, Risk Category II, Enclosed Bldg. based on FLORIDA BUILDING CODE 2010

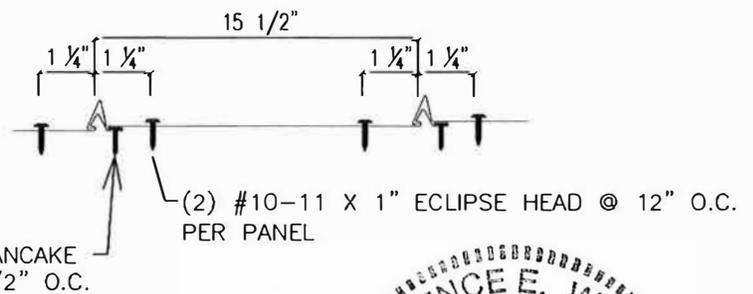
SENTRIGARD NS 150H, 24 GA. FASTENER SPACING							
ZONE	FASTENER	SUBSTRATE	WIND SPEED ZONE				
			140	150	160	170	180
			ON CENTER SPACING	ON CENTER SPACING	ON CENTER SPACING	ON CENTER SPACING	ON CENTER SPACING
ZONE 1	(1) #12-11 x 1"	15/32" CDX PLYWOOD	11" TYPE 1	11" TYPE 1	11" TYPE 1	11" TYPE 1	11" TYPE 1
ZONE 2	(1) #12-11 x 1"	15/32" CDX PLYWOOD	11" TYPE 1	11" TYPE 1	11" TYPE 1	6 1/2" / 12" TYPE 2	6 1/2" / 12" TYPE 2
ZONE 3	(1) #12-11 x 1"	15/32" CDX PLYWOOD	11" TYPE 1	11" TYPE 1	6 1/2" / 12" TYPE 2	6 1/2" / 12" TYPE 2	6 1/2" / 12" TYPE 2

- PANEL DESCRIPTION:** 1.5" NAIL STRIP, MIN. 24 GA. MSG COATED STEEL, 15 1/2" MAX WIDTH, 1.5" TALL RIB.
- PANEL FASTENER:** #12-11 x 1" TYPE A PANCAKE HEAD, #10-11 x 1" ECLIPSE HEAD TYPE A.
- MAXIMUM ALLOWABLE PANEL UPLIFT PRESSURE:** 78.5 PSF @ 11" O.C., 116.0 PSF @ 6.5" O.C. WITH FASTENERS IN SLOTS AND PAN. PRESSURE BASED ON UL 580/UL 1897 TESTING BY FORCE ENGINEERING TEST REPORT #72-0190T-07A-C.
- PLYWOOD DECKING:** MIN. 15/32" THICK, APA RATED PLYWOOD. MUST BE DESIGNED IN ACCORDANCE WITH FBC 2010.
- PANEL ROLLFORMER:** SCHLEBACH QUADRO-PLUS ROLLFORMER BY METALFORMING, INC.
- LOAD TABLE BASED ON WIND PRESSURES CALCULATED PER ASCE 7-10** ($K_d = 0.85$) MULTIPLIED BY 0.6 PER FBC 2010, SECTION 1609.1.5.
- LOAD TABLE DOES NOT INCLUDE OVERHANG ZONES**

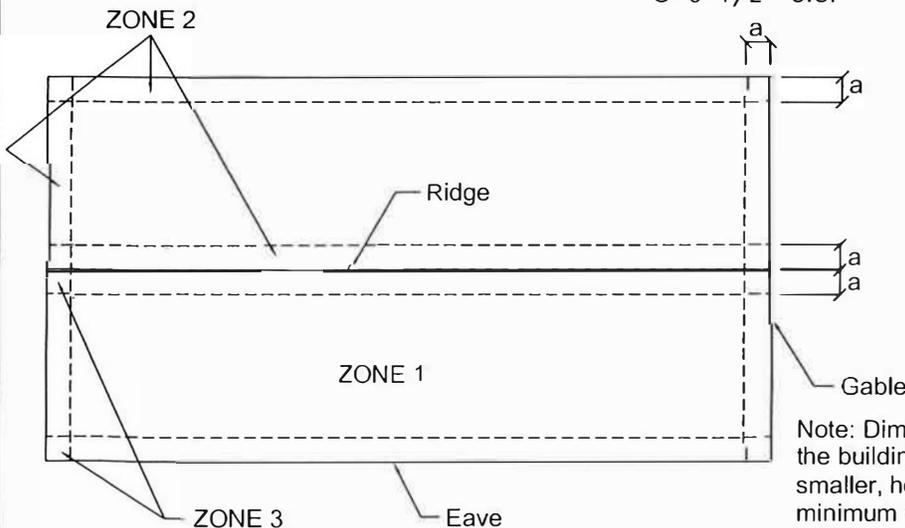
TYPE 1 FASTENER PATTERN



TYPE 2 FASTENER PATTERN

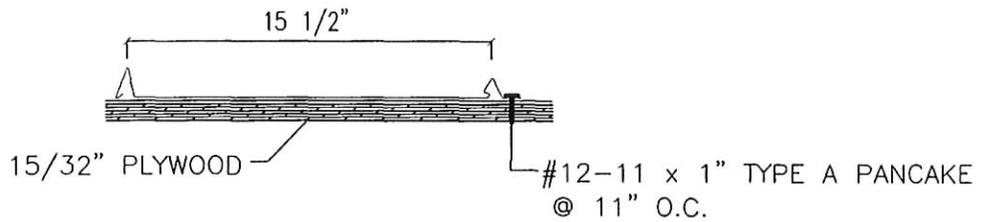


#12-11 x 1" TYPE A PANCAKE @ 6 1/2" O.C.

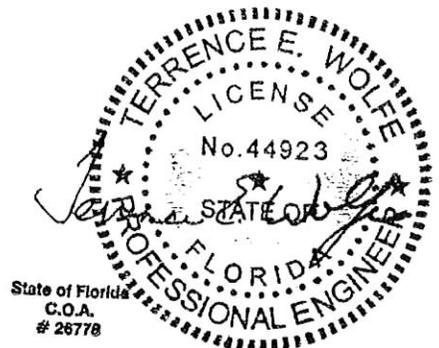
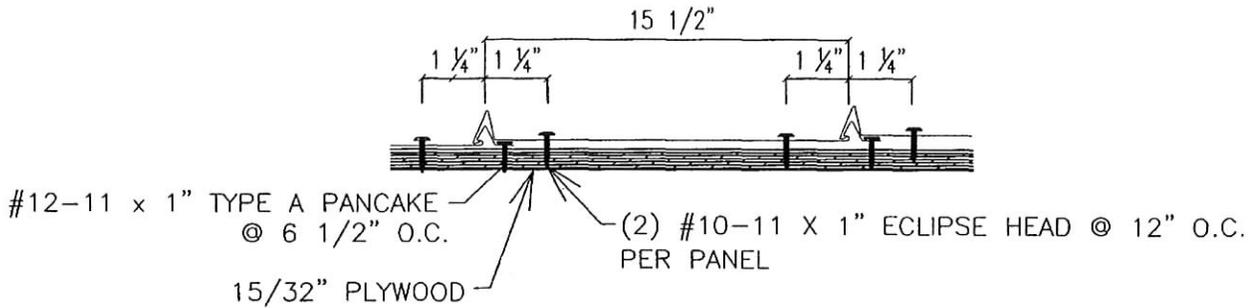


Note: Dimension (a) is defined as 10% of the minimum width of the building or 40% of the mean height of the roof, whichever is smaller, however, (a) cannot be less than either 4% of the minimum width of the building or 3 feet.

TYPE 1 FASTENER PATTERN (SEE LOAD TABLE)

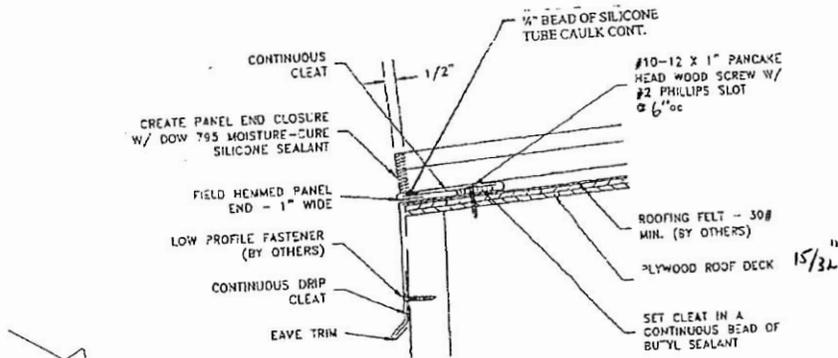


TYPE 2 FASTENER PATTERN (SEE LOAD TABLE)

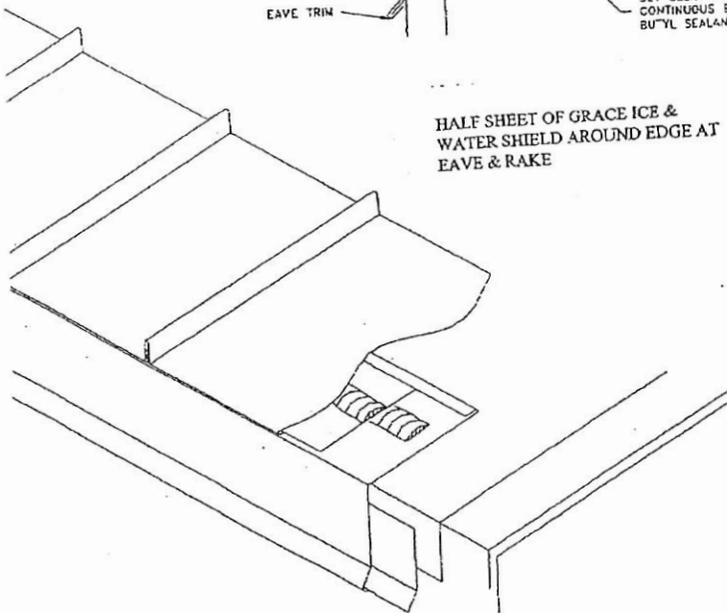


DEC 28 2011

LOW EAVE DETAIL



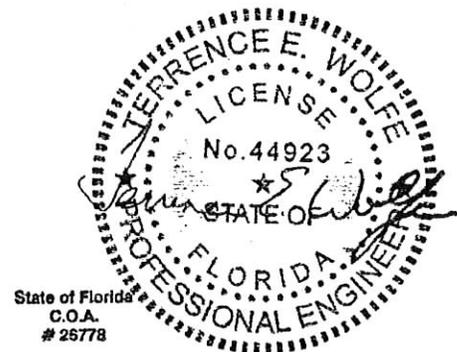
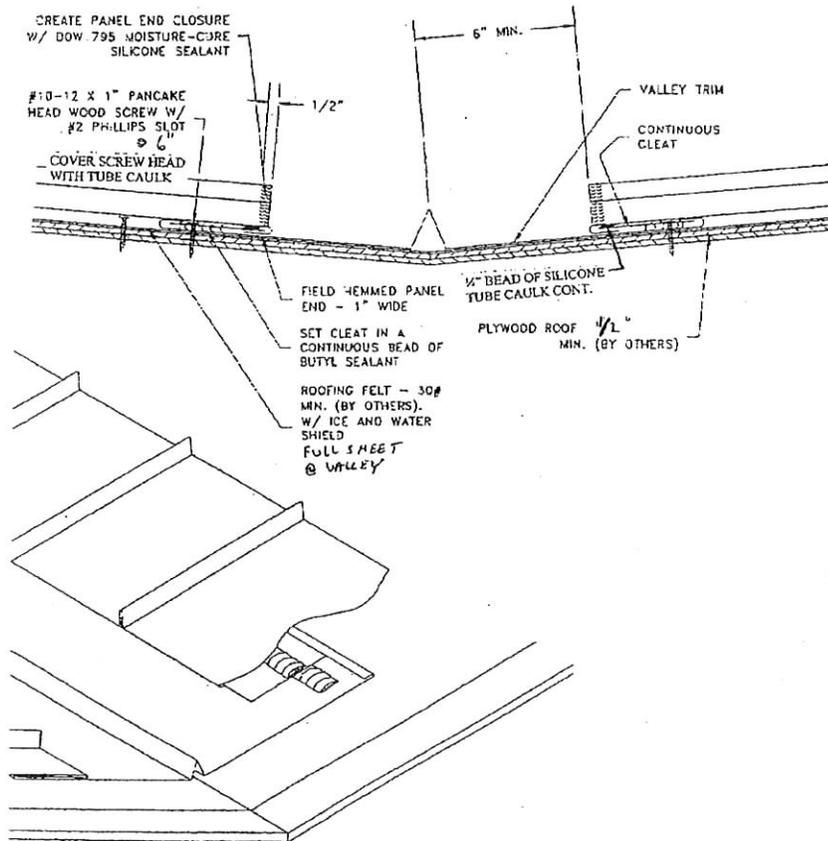
HALF SHEET OF GRACE ICE & WATER SHIELD AROUND EDGE AT EAVE & RAKE



State of Florida
C.O.A.
28778

DEC 28 2011

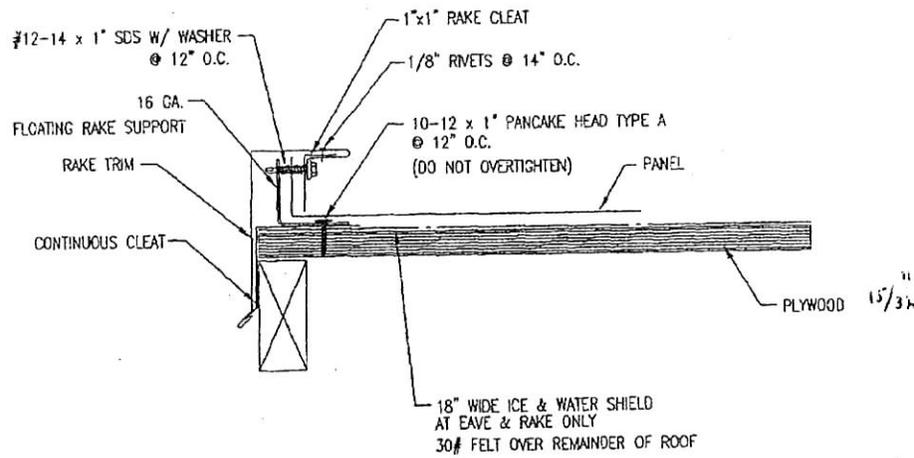
VALLEY DETAIL



DEC 28 2011

Project No. T349-07

FLOATING RAKE DETAIL

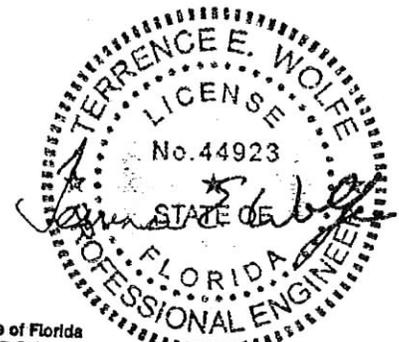
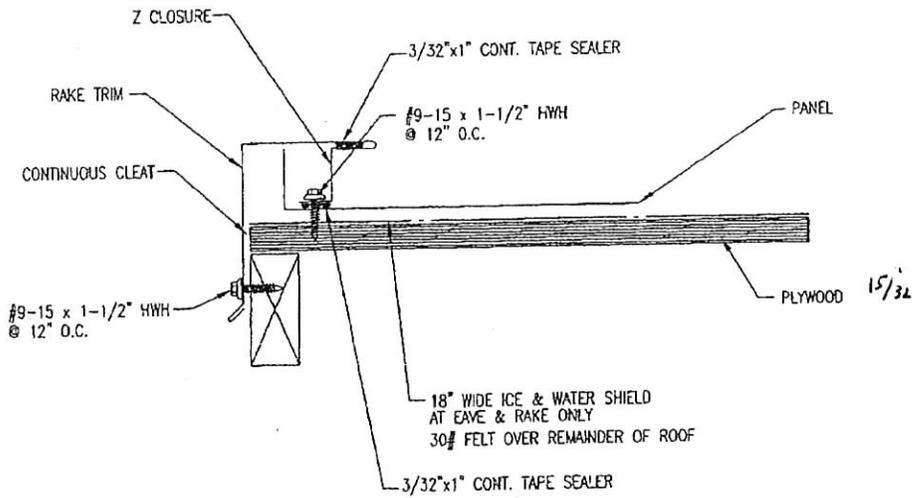


State of Florida
C.O.A.
28778

DEC 28 2011

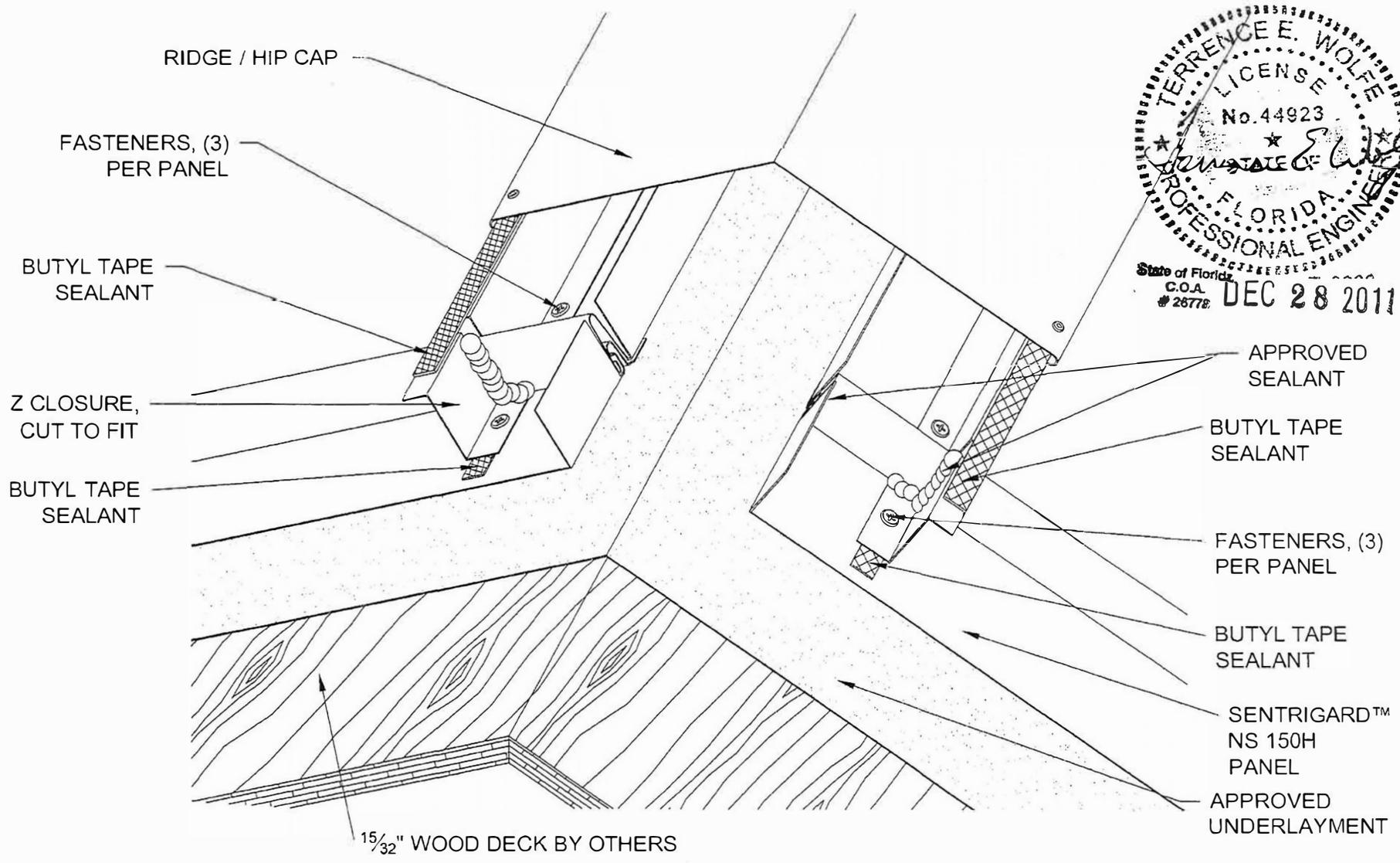
Project No. T349-07

FIXED RAKE DETAIL



State of Florida
C.O.A.
26778

DEC 28 2011



TERRENCE E. WOLFE
 LICENSE
 No. 44923
 STATE OF FLORIDA
 PROFESSIONAL ENGINEER
 State of Florida
 C.O.A. # 25778
 DEC 28 2011



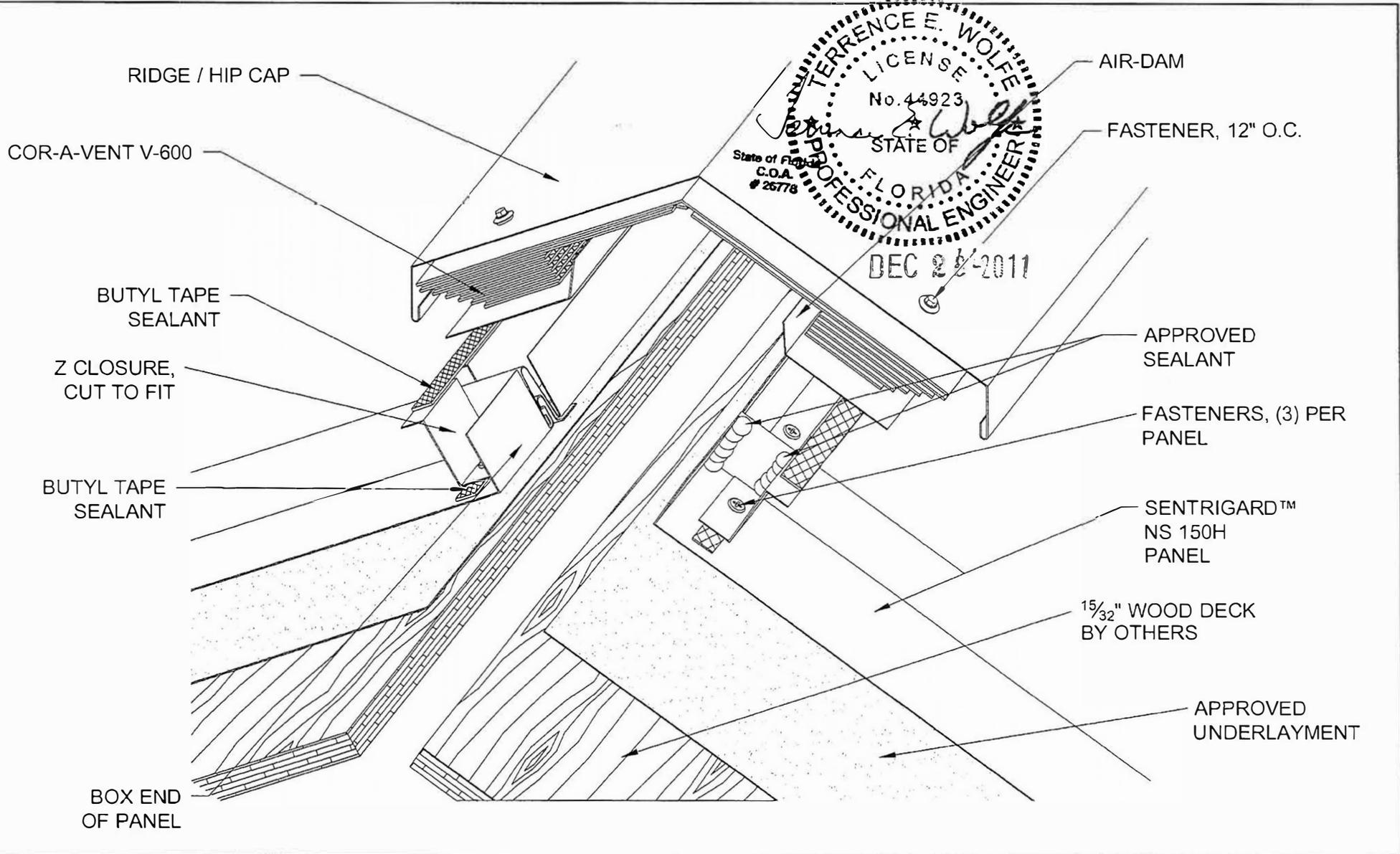
SENTRIGARD
 METAL ROOFING SYSTEMS

Project:		
Contractor:		
Designer:	Date:	Scale:

THIS DRAWING IS THE
 PROPERTY OF N.B. HANDY
 CO., INC. THE USE OF THIS
 DRAWING WITHOUT THE
 EXPRESS PERMISSION OF
 N.B. HANDY IS PROHIBITED.

N.B. HANDY CO., INC.
 4625 Alexander Drive, Suite 135
 Alpharetta, GA 30022-3737
 Ph: (770) 667-0463

SENTRIGARD NS 150H HR-1



TERRENCE E. WOLFE
 LICENSE
 No. 44923
 STATE OF
 FLORIDA
 PROFESSIONAL ENGINEER
 State of Florida
 C.O.A.
 # 25778
 DEC 22-2011



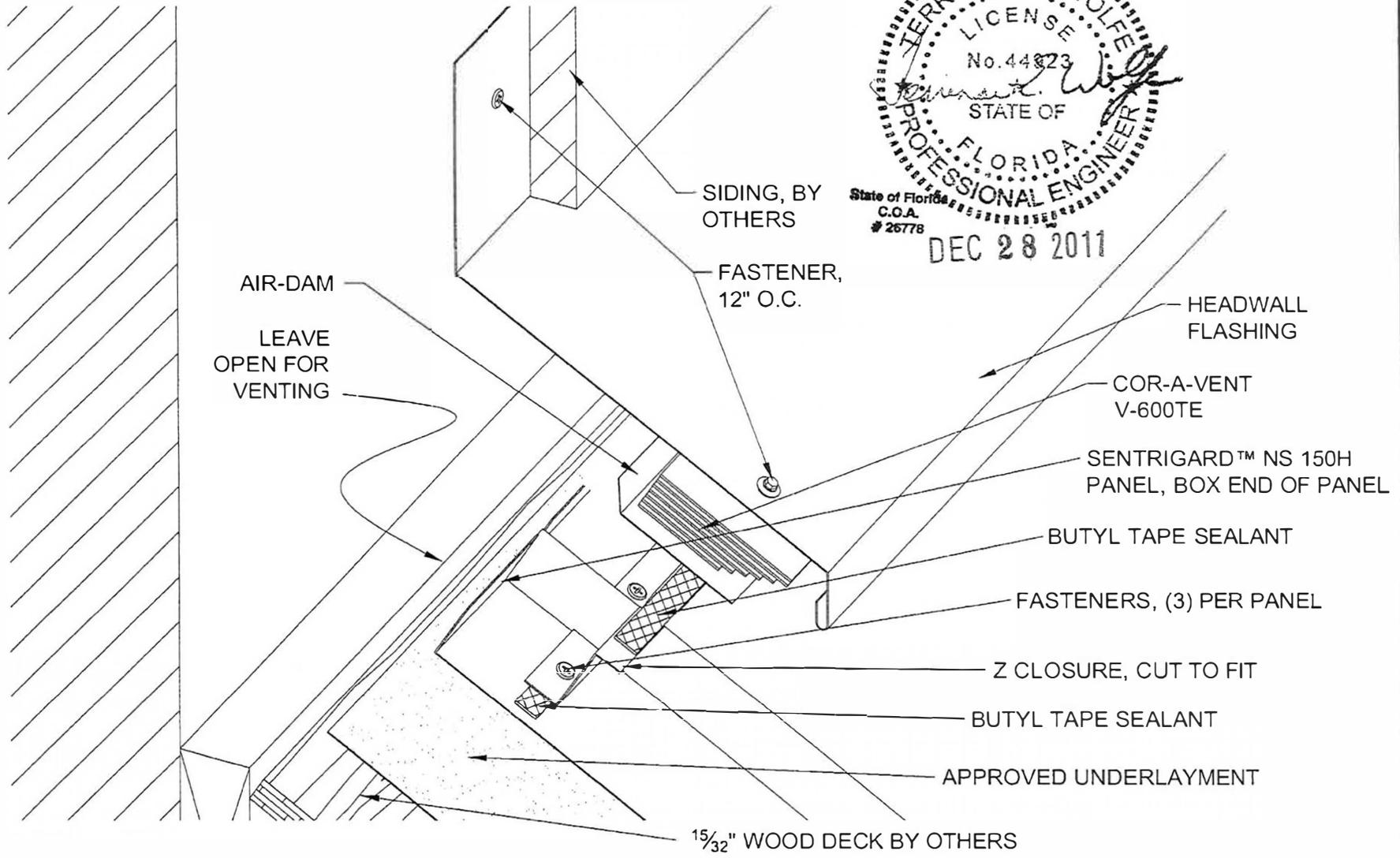
SENTRIGARD
METAL ROOFING SYSTEMS

Project:		
Contractor:		
Designer:	Date:	Scale:

THIS DRAWING IS THE PROPERTY OF N.B. HANDY CO., INC. THE USE OF THIS DRAWING WITHOUT THE EXPRESS PERMISSION OF N.B. HANDY IS PROHIBITED.

N.B. HANDY CO., INC.
 4625 Alexander Drive, Suite 135
 Alpharetta, GA 30022-3737
 Ph: (770) 667-0463

SENTRIGARD NS 150H VR-1



TERENCE E. WOLFE
 LICENSE
 No. 44823
 STATE OF
 FLORIDA
 PROFESSIONAL ENGINEER
 State of Florida
 C.O.A.
 #26778
 DEC 28 2011



SENTRIGARD
 METAL ROOFING SYSTEMS

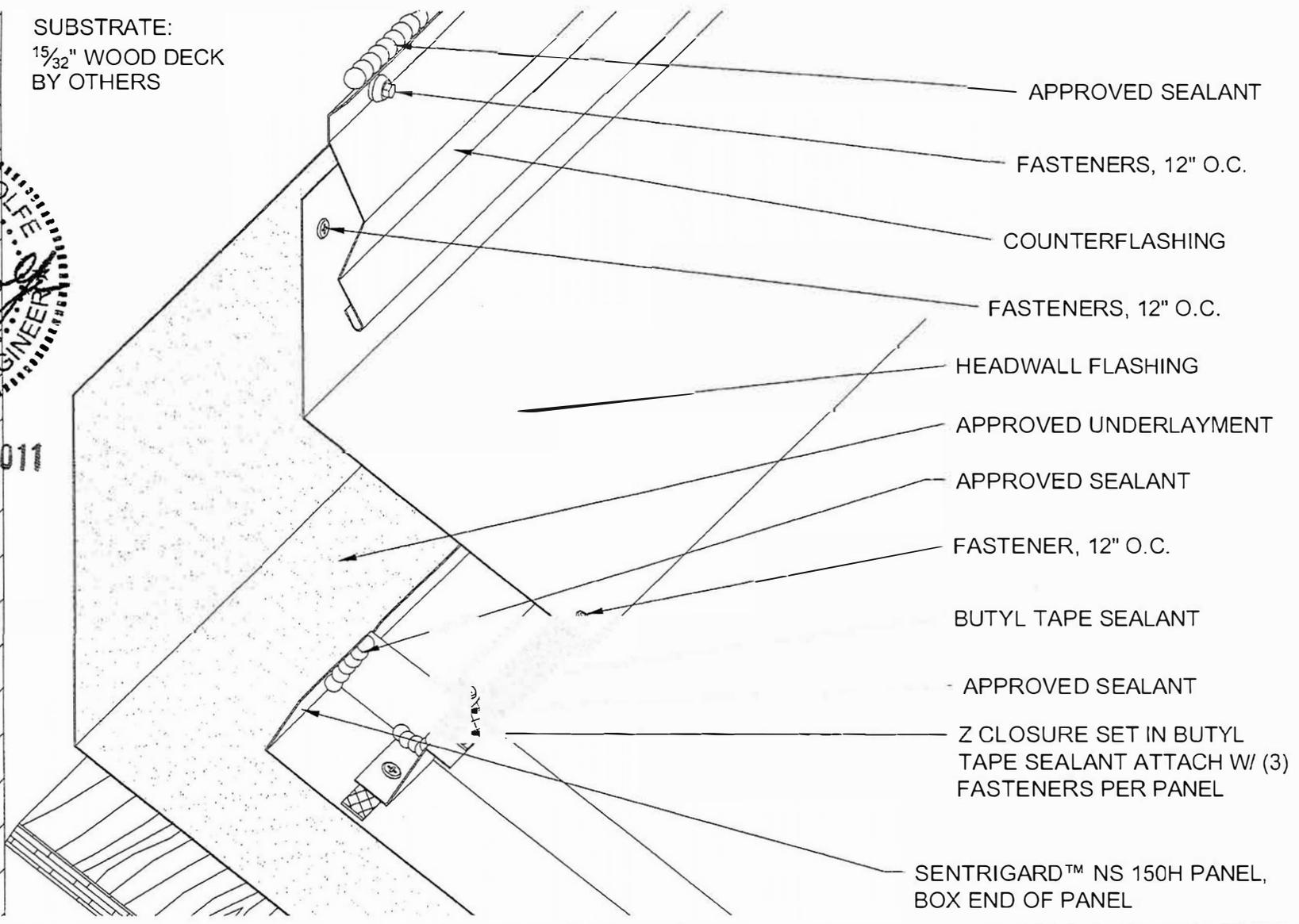
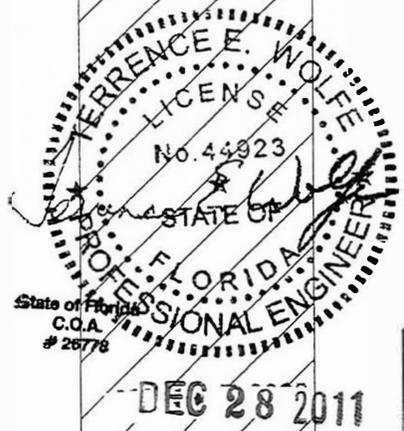
Project:		
Contractor:		
Designer:	Date:	Scale:

THIS DRAWING IS THE
 PROPERTY OF N.B. HANDY
 CO., INC. THE USE OF THIS
 DRAWING WITHOUT THE
 EXPRESS PERMISSION OF
 N.B. HANDY IS PROHIBITED.

N.B. HANDY CO., INC.
 4625 Alexander Drive, Suite 135
 Alpharetta, GA 30022-3737
 Ph: (770) 667-0463

SENTRIGARD NS 150H VH-1

SUBSTRATE:
 15/32" WOOD DECK
 BY OTHERS



SENTRIGARD
 METAL ROOFING SYSTEMS

Project:		
Contractor:		
Designer:	Date:	Scale:

THIS DRAWING IS THE PROPERTY OF N.B. HANDY CO., INC. THE USE OF THIS DRAWING WITHOUT THE EXPRESS PERMISSION OF N.B. HANDY IS PROHIBITED.

N.B. HANDY CO., INC.
 4625 Alexander Drive, Suite 135
 Alpharetta, GA 30022-3737
 Ph: (770) 667-0463

SENTRIGARD NS 150H HW-1

SUBSTRATE:
1 5/32" WOOD DECK BY OTHERS

APPROVED SEALANT

COUNTERFLASHING

FASTENERS, 12" O.C.

HEADWALL FLASHING

APPROVED UNDERLAYMENT

APPROVED SEALANT

FASTENER, 12" O.C.

BUTYL TAPE SEALANT

APPROVED SEALANT

SENTRIGARD™ NS 150H PANEL,
BOX END OF PANEL

Z CLOSURE SET IN BUTYL TAPE
SEALANT ATTACHED W/ (3)
FASTENERS PER PANEL



State of Florida
C.O.A.
26778

DEC 28 2011



SENTRIGARD
METAL ROOFING SYSTEMS

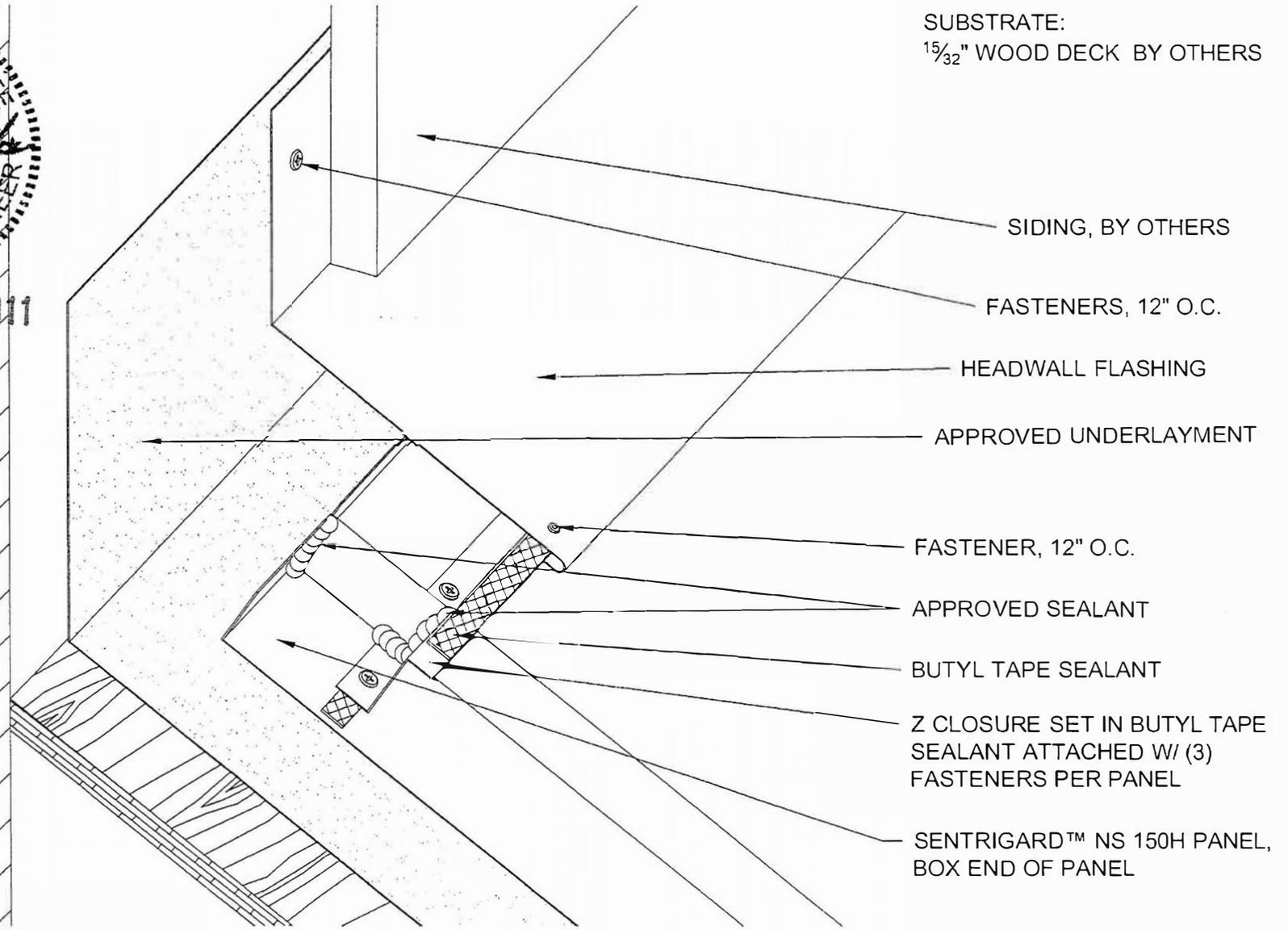
Project:		
Contractor:		
Designer:	Date:	Scale:

THIS DRAWING IS THE
PROPERTY OF N.B. HANDY
CO., INC. THE USE OF THIS
DRAWING WITHOUT THE
EXPRESS PERMISSION OF
N.B. HANDY IS PROHIBITED.

N.B. HANDY CO., INC.
4625 Alexander Drive, Suite 135
Alpharetta, GA 30022-3737
Ph: (770) 667-0463

SENTRIGARD NS 150H HW-2

TERRENCE E. WOLFE
 LICENSED PROFESSIONAL ENGINEER
 No. 44923
 STATE OF FLORIDA
 DEC 28 2011
 State of Florida
 C.O.A.
 # 25779



SUBSTRATE:
 1 5/32" WOOD DECK BY OTHERS

- SIDING, BY OTHERS
- FASTENERS, 12" O.C.
- HEADWALL FLASHING
- APPROVED UNDERLAYMENT
- FASTENER, 12" O.C.
- APPROVED SEALANT
- BUTYL TAPE SEALANT
- Z CLOSURE SET IN BUTYL TAPE SEALANT ATTACHED W/ (3) FASTENERS PER PANEL
- SENTRIGARD™ NS 150H PANEL, BOX END OF PANEL



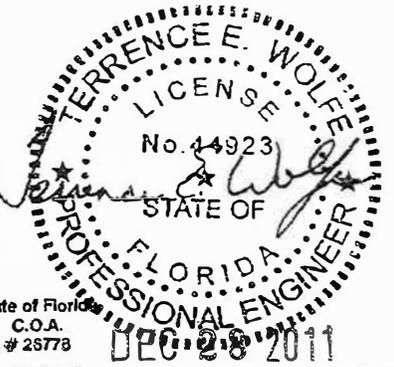
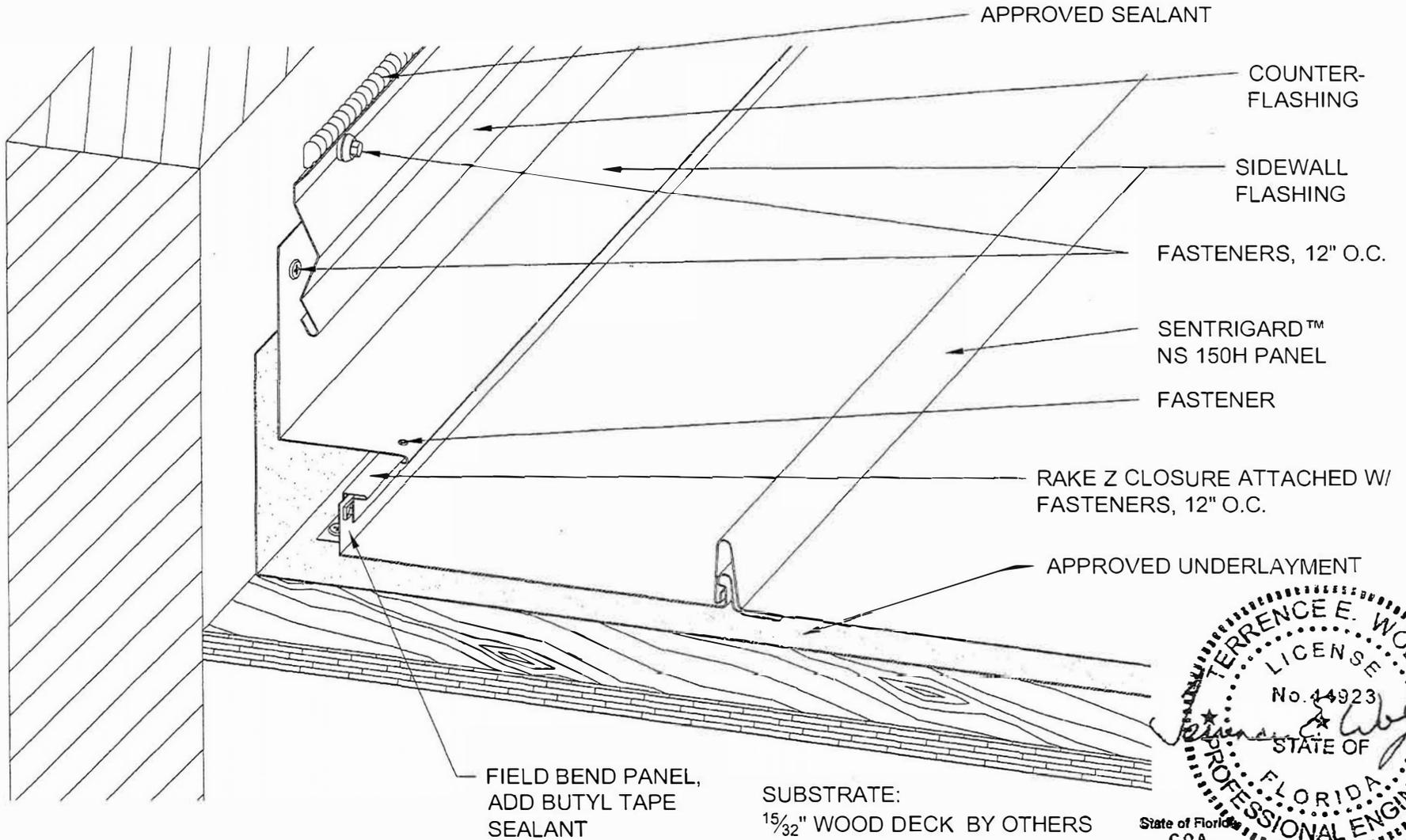
SENTRIGARD
 METAL ROOFING SYSTEMS

Project:		
Contractor:		
Designer:	Date:	Scale:

THIS DRAWING IS THE PROPERTY OF N.B. HANDY CO., INC. THE USE OF THIS DRAWING WITHOUT THE EXPRESS PERMISSION OF N.B. HANDY IS PROHIBITED.

N.B. HANDY CO., INC.
 4625 Alexander Drive, Suite 135
 Alpharetta, GA 30022-3737
 Ph: (770) 667-0463

SENTRIGARD NS 150HHW-3



State of Florida
C.O.A.
25778

FIELD BEND PANEL,
ADD BUTYL TAPE
SEALANT

SUBSTRATE:
1⁵/₃₂" WOOD DECK BY OTHERS

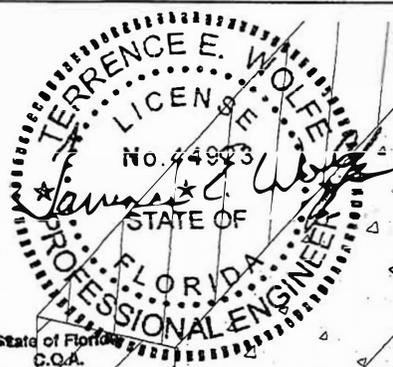


Project:		
Contractor:		
Designer:	Date:	Scale:

THIS DRAWING IS THE
PROPERTY OF N.B. HANDY
CO., INC. THE USE OF THIS
DRAWING WITHOUT THE
EXPRESS PERMISSION OF
N.B. HANDY IS PROHIBITED.

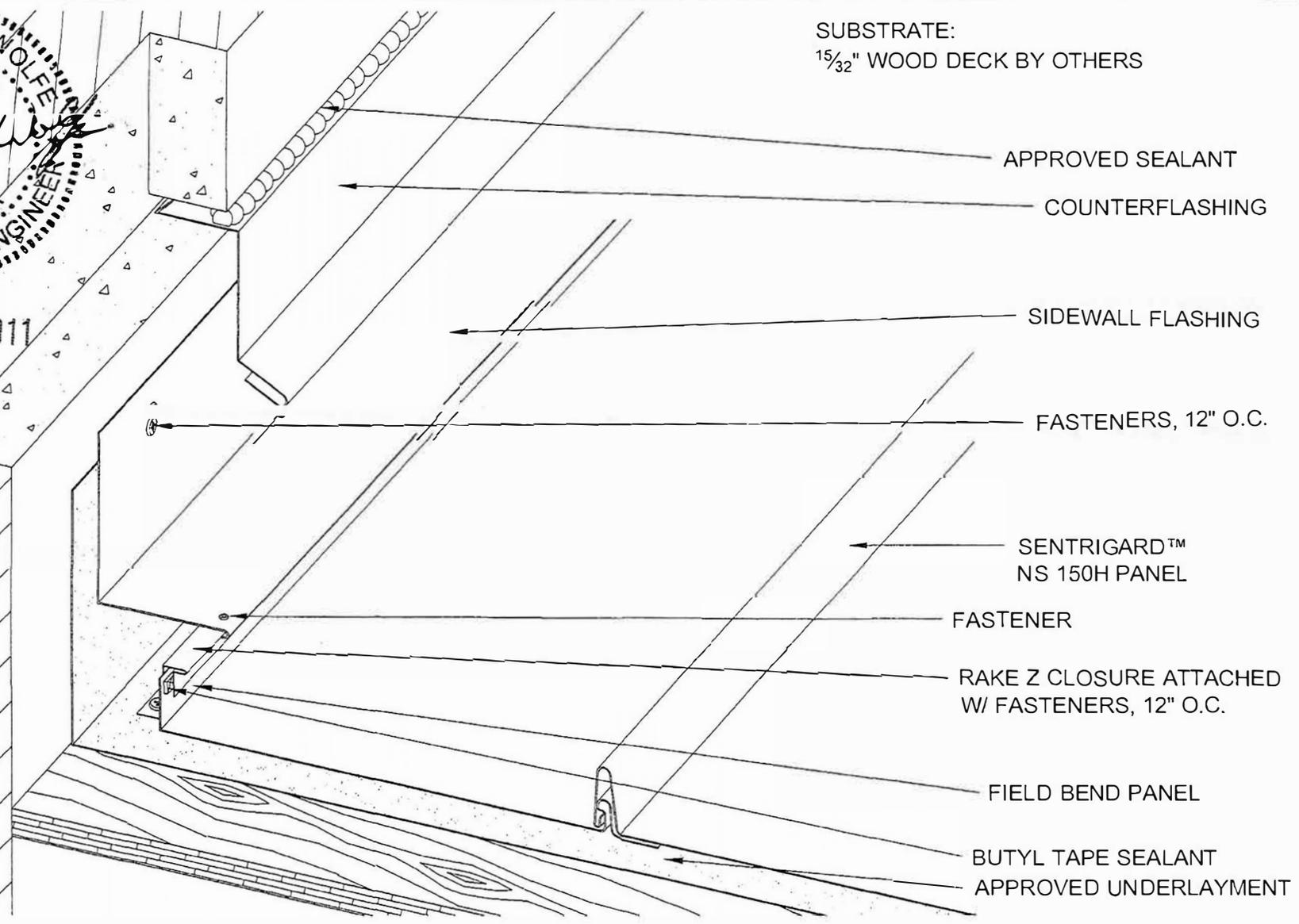
N.B. HANDY CO., INC.
4625 Alexander Drive, Suite 135
Alpharetta, GA 30022-3737
Ph: (770) 667-0463

SENTRIGARD NS 150H SW-1



State of Florida
C.O.A.
#25778
DEC 28 2011

SUBSTRATE:
1 5/32" WOOD DECK BY OTHERS



- APPROVED SEALANT
- COUNTERFLASHING
- SIDEWALL FLASHING
- FASTENERS, 12" O.C.
- SENTRIGARD™
NS 150H PANEL
- FASTENER
- RAKE Z CLOSURE ATTACHED
W/ FASTENERS, 12" O.C.
- FIELD BEND PANEL
- BUTYL TAPE SEALANT
- APPROVED UNDERLAYMENT



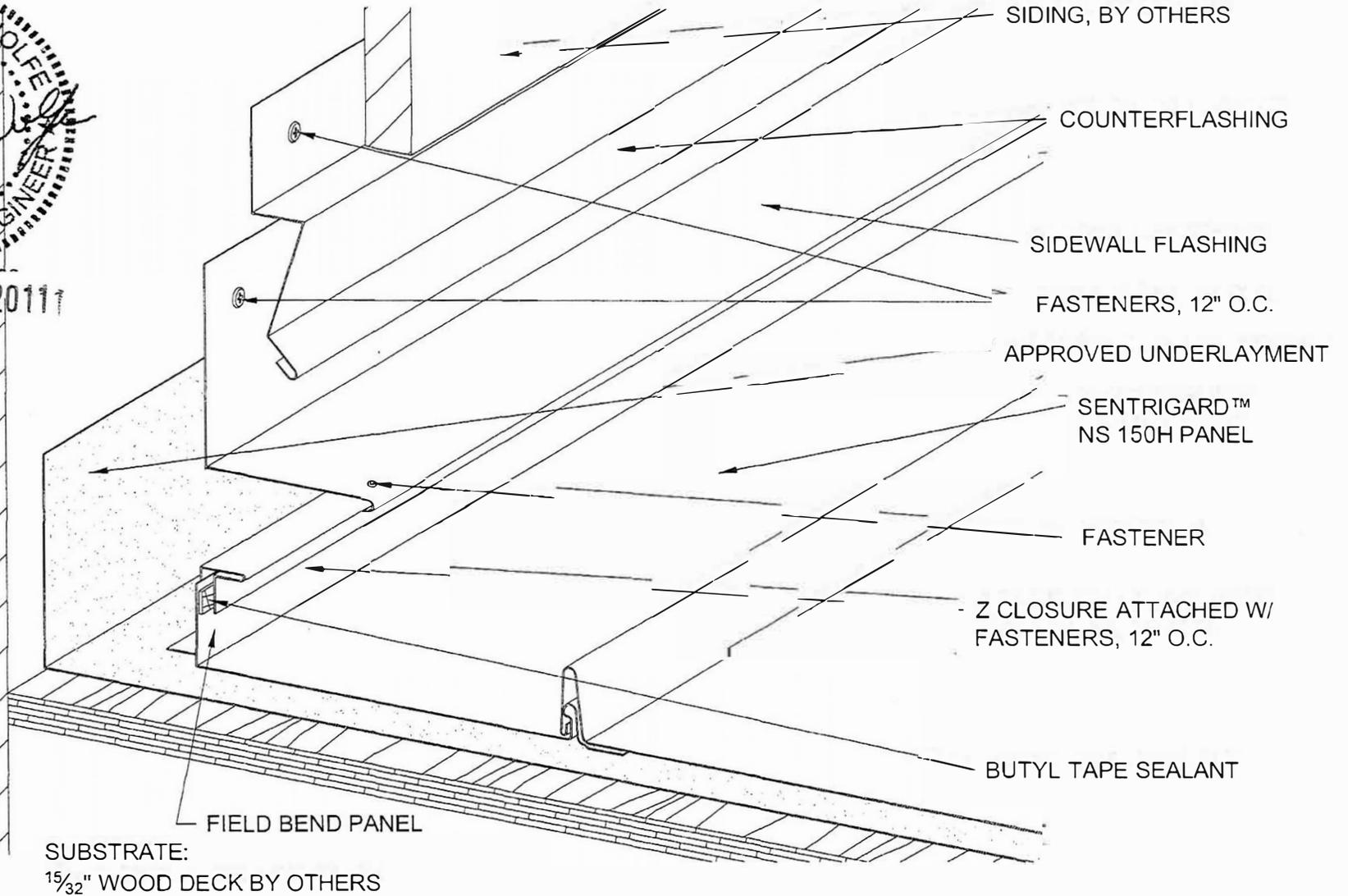
SENTRIGARD
METAL ROOFING SYSTEMS

Project:		
Contractor:		
Designer:	Date:	Scale:

THIS DRAWING IS THE
PROPERTY OF N.B. HANDY
CO., INC. THE USE OF THIS
DRAWING WITHOUT THE
EXPRESS PERMISSION OF
N.B. HANDY IS PROHIBITED.

N.B. HANDY CO., INC.
4625 Alexander Drive, Suite 135
Alpharetta, GA 30022-3737
Ph: (770) 667-0463

SENTRIGARD NS 150H SW-2



SENTRIGARD
 METAL ROOFING SYSTEMS

Project:		THIS DRAWING IS THE PROPERTY OF N.B. HANDY CO., INC. THE USE OF THIS DRAWING WITHOUT THE EXPRESS PERMISSION OF N.B. HANDY IS PROHIBITED.	N.B. HANDY CO., INC. 4625 Alexander Drive, Suite 135 Alpharetta, GA 30022-3737 Ph: (770) 667-0463
Contractor:			
Designer:	Date:	Scale:	SENTRIGARD NS 150H SW-3