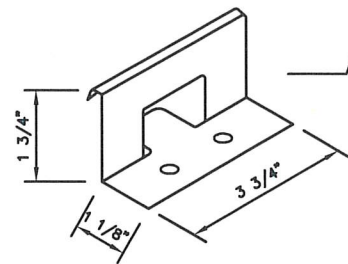
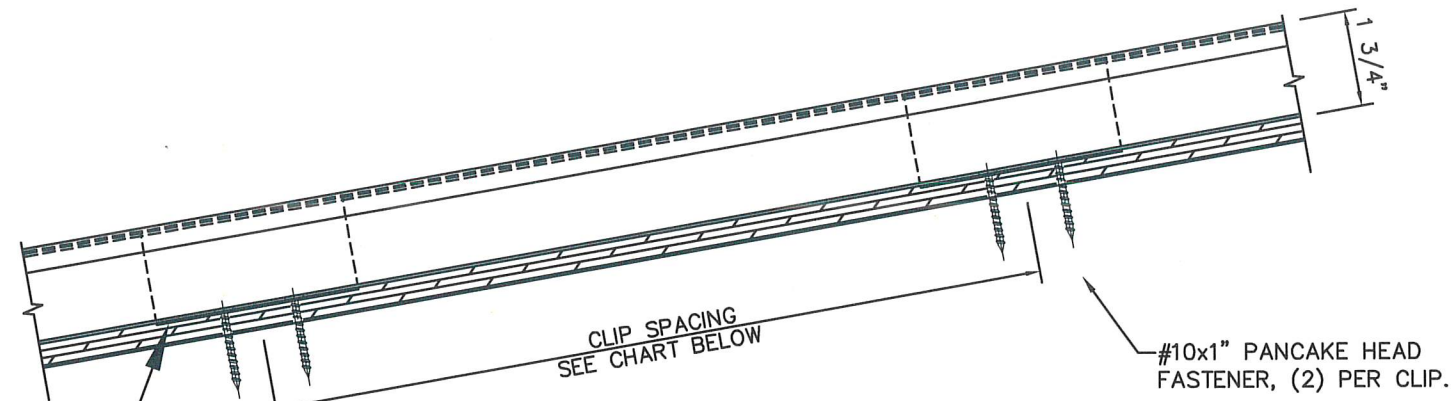


SENTRIGARD SL175 SERIES 0.032" ALUMINUM ROOF PANEL
17 1/2" WIDE x 1 3/4" SNAPLOCK PANELS OVER 5/8" PLYWOOD

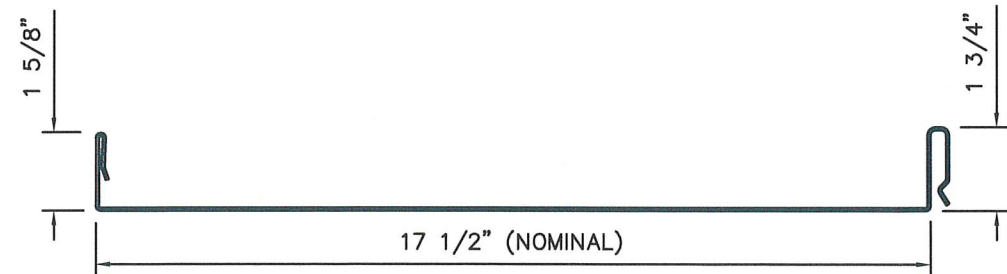
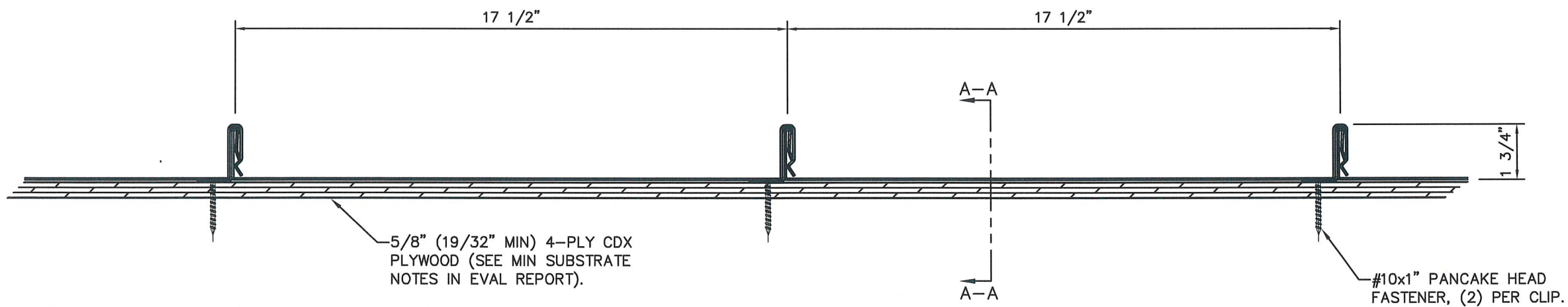
MAX DESIGN PRESSURE	
-116 Psf	(16" CLIP SPACING)
-168.5 Psf	(6" CLIP SPACING)



18 Ga. GALV. STEEL or
STAINLESS STEEL CLIP



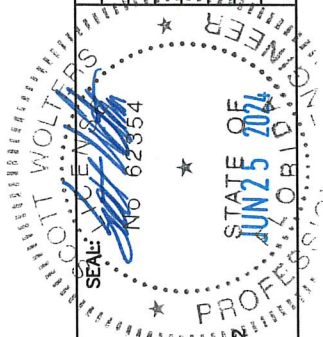
SECTION A-A



PANEL PROFILE

GENERAL NOTES:

1. ROOF SLOPE IS LIMITED PER THE REQUIREMENTS OF FBC SECTION 1515.2.
2. DESIGN OF SUBSTRATE IS BY OTHERS AND NOT A PART OF THIS APPROVAL.
3. SEE EVAL REPORT FOR UNDERLAYMENT, FIRE BARRIER, AND DECK FASTENER INFO.
4. ALL PANEL SYSTEM PERIMETERS, PENETRATIONS, AND TRANSITIONS TO BE FLASHED AND SEALED PER THE MANUFACTURER'S INSTALLATION INSTRUCTIONS AND RAS 133.



SCOTT WOLTERS
FL PE# 62354
WOLTERS ENGINEERING
(COA# 27194)
15211 97TH ROAD N
WEST PALM BEACH, FL 33412
(561) 225-1982

SENTRIGARD
METAL ROOFING SYSTEMS
PH: (434) 847-2445
www.sentrigard.com



DWG: SL175A-HZ
SHEET: 1/1

REV.#	DATE	ISSUED FOR
3	6/25/24	REVISION
2	5/1/24	REVISION
1	2/27/24	1ST SUBMITTAL