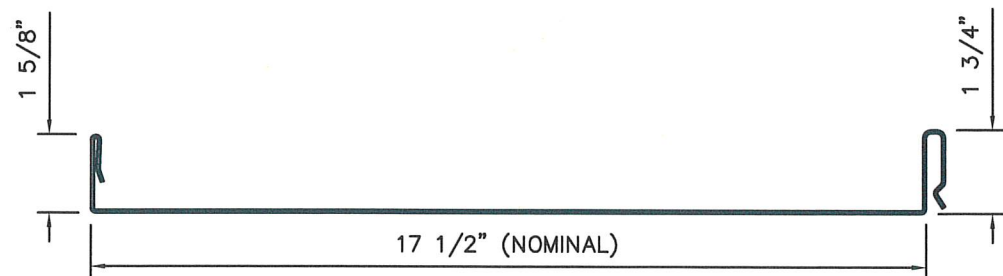
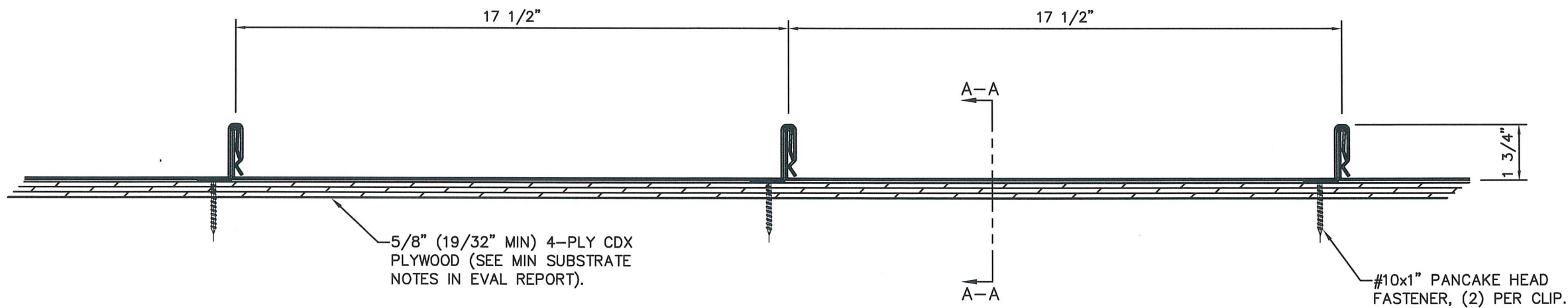
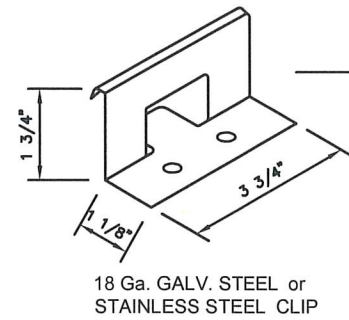
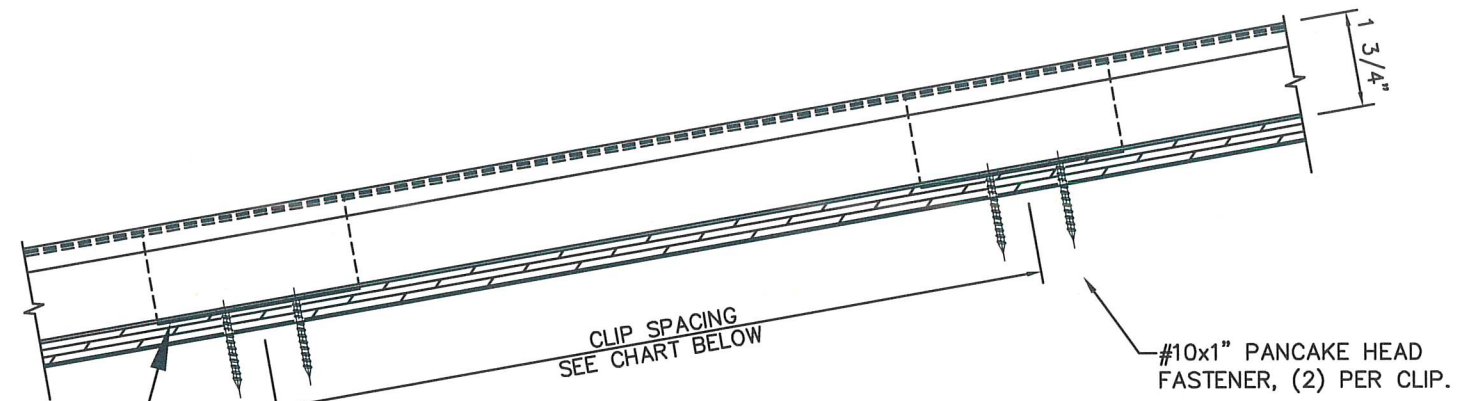


SENTRIGARD SL175 SERIES 24 Ga. STEEL ROOF PANEL
17 1/2" WIDE x 1 3/4" SNAPLOCK PANELS OVER 5/8" PLYWOOD

MAX DESIGN PRESSURE	
-134.75 Psf	(16" CLIP SPACING)
-191 Psf	(6" CLIP SPACING)



PANEL PROFILE

GENERAL NOTES:

1. ROOF SLOPE IS LIMITED PER THE REQUIREMENTS OF FBC SECTION 1515.2.
2. DESIGN OF SUBSTRATE IS BY OTHERS AND NOT A PART OF THIS APPROVAL.
3. SEE EVAL REPORT FOR UNDERLAYMENT, FIRE BARRIER, AND DECK FASTENER INFO.
4. ALL PANEL SYSTEM PERIMETERS, PENETRATIONS, AND TRANSITIONS TO BE FLASHED AND SEALED PER THE MANUFACTURER'S INSTALLATION INSTRUCTIONS AND RAS 133.

REVISION	2	6/25/24	DATE
REVISION	1	5/1/24	DATE
1ST SUBMITTAL		1/4/24	DATE
REV.#			
PRINTS ISSUED FOR			

SCOTT WOLTERS
 FL PE# 62354

WOLTERS ENGINEERING
 (COA# 27194)
 15211 97TH ROAD N
 WEST PALM BEACH, FL 33412
 (561) 225-1982

SEAL: [Signature]
 No. 62354

STATE OF FLORIDA
 JUN 25 2024
 PROFESSIONAL ENGINEER

SENTRIGARD METAL ROOFING SYSTEMS

PH: (434) 847-2445
 www.sentrigard.com

65 10TH STREET
 LYNCHBURG, VA 24504

DWG: **SL175S-HZ**
 SHEET: **1/1**