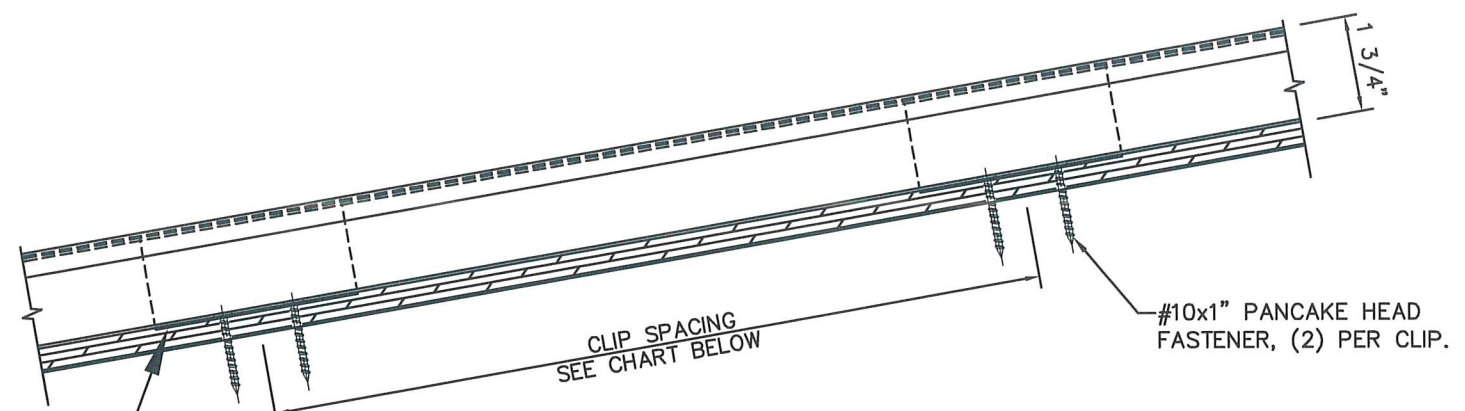
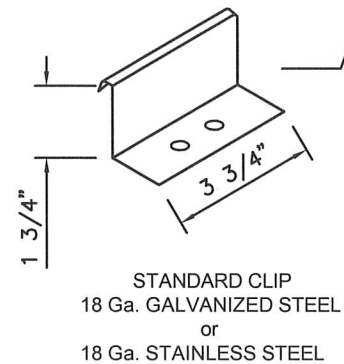


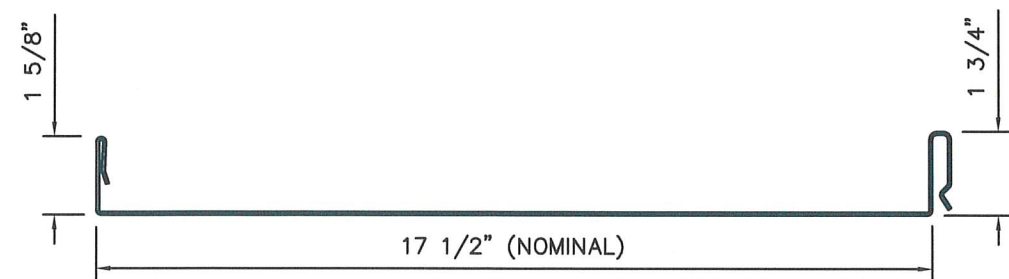
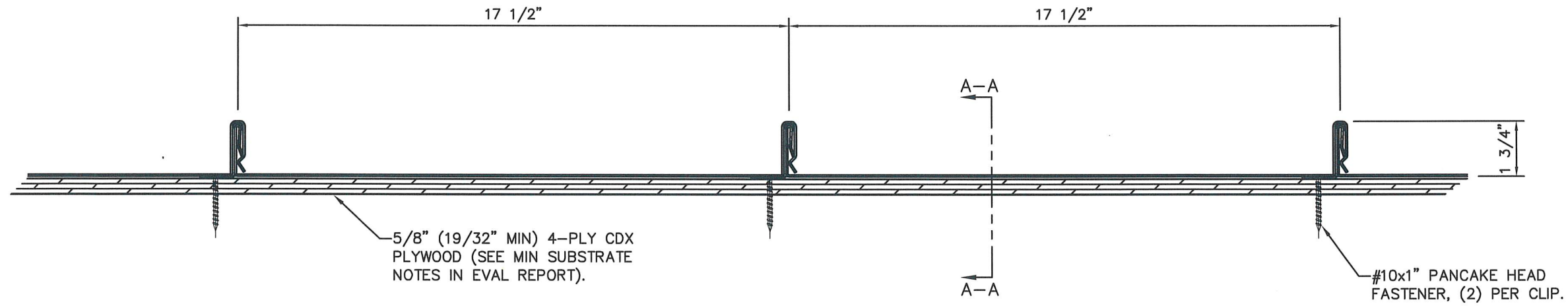
SENTRIGARD SL175 SERIES 0.032" ALUMINUM ROOF PANEL

17 1/2" WIDE x 1 3/4" SNAPLOCK PANELS OVER 5/8" PLYWOOD

MAX DESIGN PRESSURE	
-138.5 Psf	(16" CLIP SPACING)
-168.5 Psf	(6" CLIP SPACING)



SECTION A-A



PANEL PROFILE

GENERAL NOTES:

1. ROOF SLOPE IS LIMITED PER THE REQUIREMENTS OF FBC SECTION 1507.4.2.
2. DESIGN OF SUBSTRATE IS BY OTHERS AND NOT A PART OF THIS APPROVAL.
3. SEE EVAL REPORT FOR UNDERLAYMENT, FIRE BARRIER, AND DECK FASTENER INFO.
4. ALL PANEL SYSTEM PERIMETERS, PENETRATIONS, AND TRANSITIONS TO BE FLASHED AND SEALED PER THE MANUFACTURER'S INSTALLATION INSTRUCTIONS AND RAS 133.



SCOTT WOLTERS
FL PE# 62354
WOLTERS ENGINEERING
(CO.# 27194)
15211 97TH ROAD N
WEST PALM BEACH, FL 33412
(561) 225-1982

SENTRIGARD
METAL ROOFING SYSTEMS



PH: (434) 847-2445
www.sentrigard.com

65 10TH STREET
LYNCHBURG, VA 24504

DWG: **SL175A**
SHEET: **1/1**

REV#	DATE	DESCRIPTION
3	6/25/24	REVISION
2	5/1/24	REVISION
1	2/27/24	REVISION
-	1/4/24	1ST SUBMITTAL
-	-	PRINTS ISSUED FDR