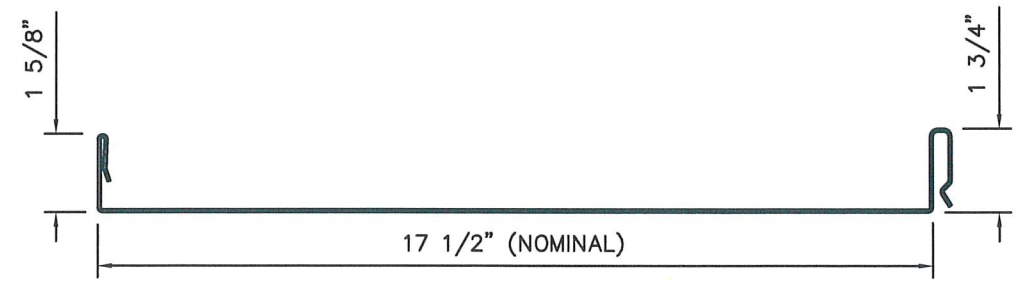
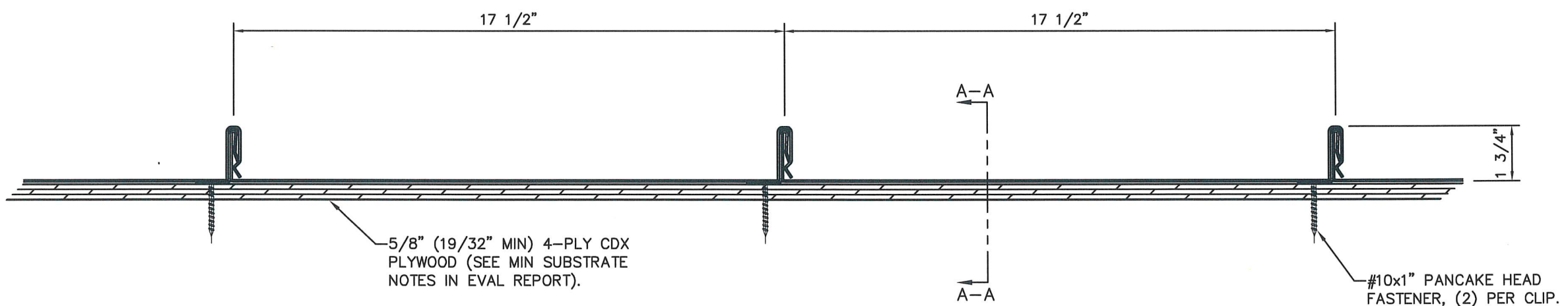
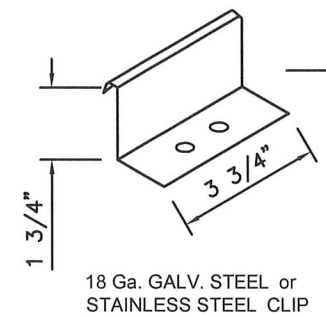
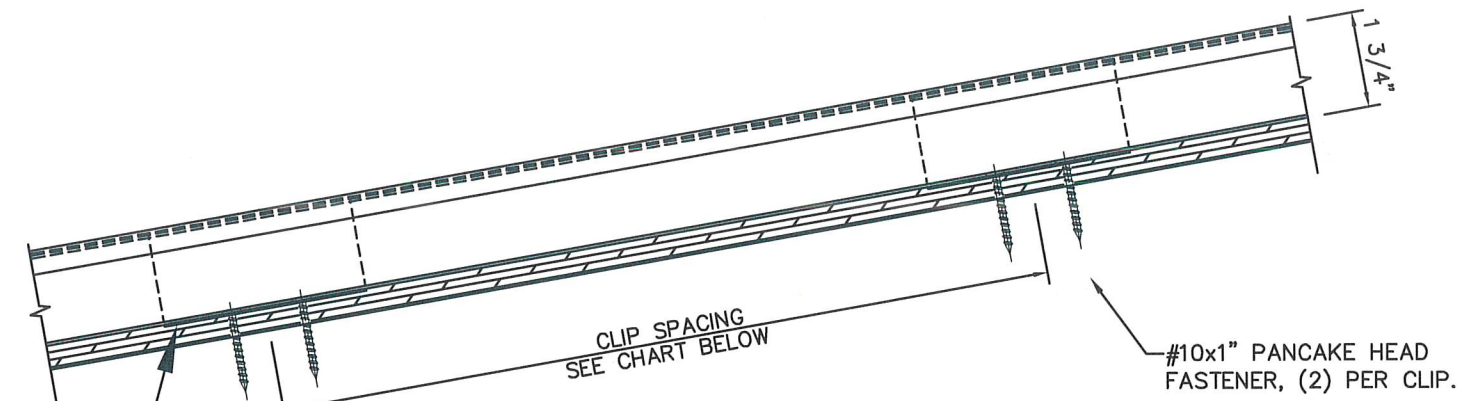


**SENTRIGARD SL175 SERIES 24 Ga. STEEL ROOF PANEL**  
**17 1/2" WIDE x 1 3/4" SNAPLOCK PANELS OVER 5/8" PLYWOOD**

MAX DESIGN PRESSURE	
-176 Psf	(16" CLIP SPACING)
-191 Psf	(6" CLIP SPACING)



**PANEL PROFILE**

**GENERAL NOTES:**

1. ROOF SLOPE IS LIMITED PER THE REQUIREMENTS OF FBC SECTION 1507.4.2.
2. DESIGN OF SUBSTRATE IS BY OTHERS AND NOT A PART OF THIS APPROVAL.
3. SEE EVAL REPORT FOR UNDERLAYMENT, FIRE BARRIER, AND DECK FASTENER INFO.
4. ALL PANEL SYSTEM PERIMETERS, PENETRATIONS, AND TRANSITIONS TO BE FLASHED AND SEALED PER THE MANUFACTURER'S INSTALLATION INSTRUCTIONS AND RAS 133.

REV.#	DATE	ISSUED FOR
2	6/25/24	REVISION
1	5/1/24	REVISION
-	1/4/24	TEST SUBMITTAL
-	-	PRINTS ISSUED FOR

SEAL: SCOTT WOLTERS  
 NO 62354  
 STATE OF FLORIDA  
 PROFESSIONAL ENGINEER  
 JUN 25 2024

**SENTRIGARD METAL ROOFING SYSTEMS**

SCOTT WOLTERS  
 FL PE# 62354

WOLTERS ENGINEERING  
 (COA# 27194)  
 15211 97TH ROAD N  
 WEST PALM BEACH, FL 33412  
 (561) 225-1982

PH: (434) 847-2445  
 www.sentrigard.com

65 10TH STREET  
 LYNCHBURG, VA 24504