

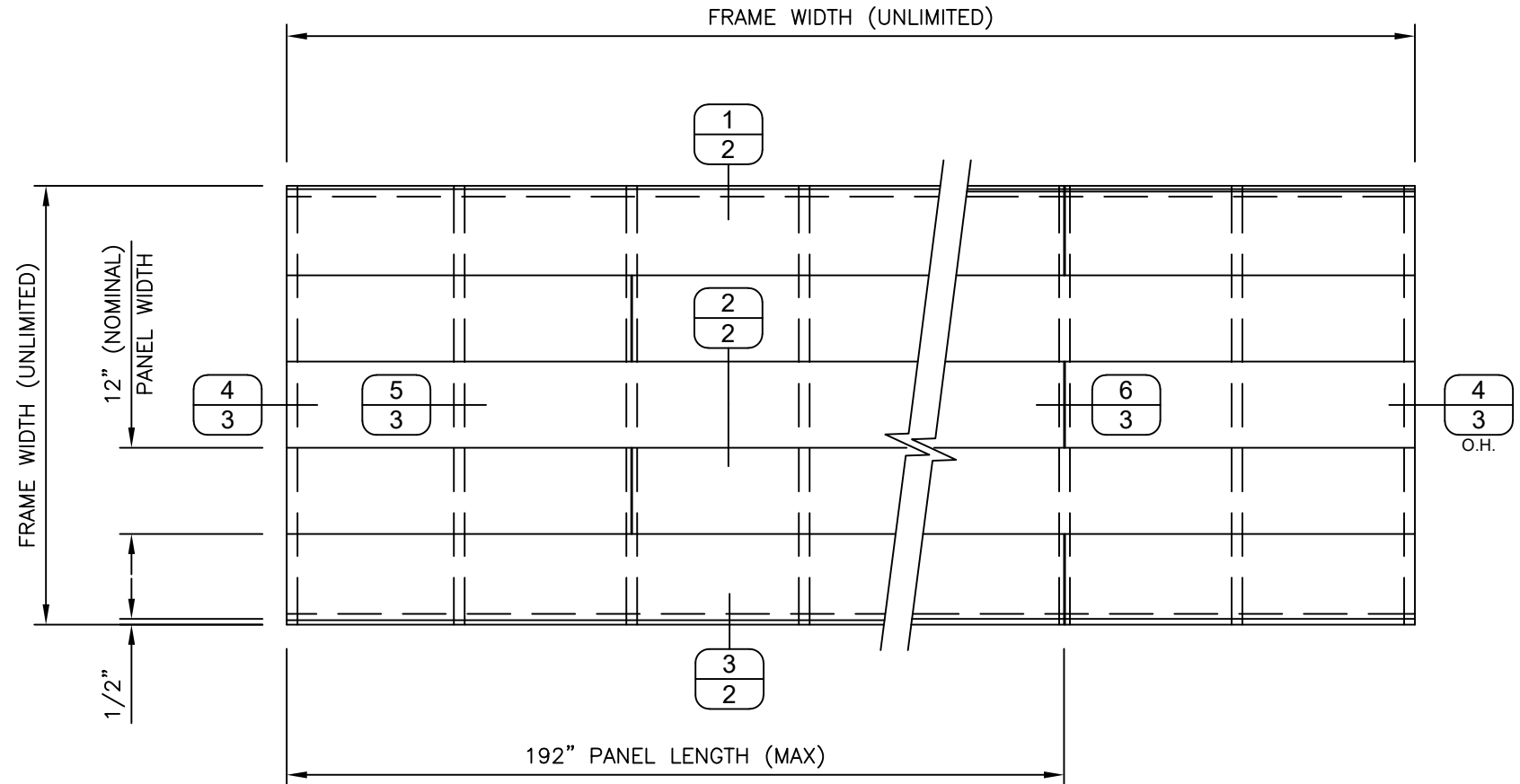
SENTRIGARD FP100 SERIES SOFFIT PANELS

0.032" ALUMINUM PANELS OVER 1/2" PLYWOOD

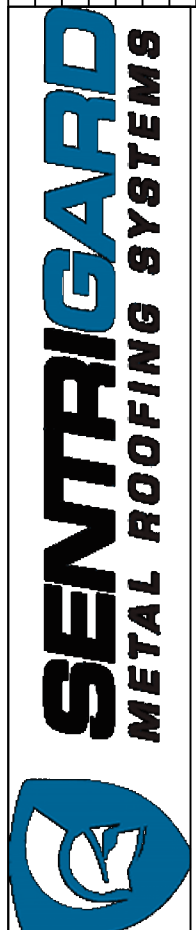
GENERAL NOTES:

1. THIS SYSTEM HAS BEEN DESIGNED AND TESTED TO MEET ALL OF THE REQUIREMENTS OF THE 8TH EDITION (2023) FLORIDA BUILDING CODE, INCLUDING THE HIGH VELOCITY HURRICANE ZONE (HVHZ) PROVISIONS.
2. THIS SYSTEM HAS BEEN TESTED PER TAS 202 AND 203. IMPACT RESISTANCE IS NOT REQUIRED FOR SOFFIT PANELS.
3. THIS SYSTEM HAS BEEN DESIGNED FOR INSTALLATION OVER 1/2" (15/32" MIN) 4-PLY CDX PLYWOOD SHEATHING, SUPPORTED BY WOOD OR METAL FRAMING. THE SOFFIT SUPPORT SYSTEM IS NOT A PART OF THIS APPROVAL, AND MUST ADEQUATELY SUPPORT THE LOADS IMPOSED BY THE PANEL SYSTEM AND TRANSFER THEM SAFELY TO THE BUILDING STRUCTURE.
4. THIS IS A RAINSCREEN SYSTEM. A WEATHER-RESISTIVE BARRIER MEETING THE REQUIREMENTS OF FBC SECTION 1404.2, WITH FLASHING MEETING 1405.4, MUST BE INSTALLED BEHIND THIS SYSTEM.
5. DESIGN LOADS MUST BE CALCULATED BY A PROFESSIONAL ENGINEER OR ARCHITECT FOR EACH PROJECT. THE (ASD) PROJECT PRESSURE CANNOT EXCEED THE DESIGN PRESSURES LISTED IN THE TABLE ON THIS SHEET.
6. ALL ANCHORS SECURING THE SYSTEM TO PRESSURE TREATED WOOD SHALL BE CAPABLE OF RESISTING CORROSION CAUSED BY THE CHEMICALS IN THE WOOD.
7. MATERIALS INCLUDING BUT NOT LIMITED TO STEEL/METAL SCREWS THAT COME INTO CONTACT WITH OTHER DISSIMILAR MATERIALS SHALL BE PROTECTED PER FBC REQUIREMENTS.
8. NO INCREASE IN ALLOWABLE STRESS HAS BEEN USED IN THE DESIGN OF THIS PRODUCT. Cd=1.6 WAS USED FOR WOOD SCREWS ONLY.
9. PANELS ARE MADE FROM 0.032" ALUMINUM (Fy = 24 ksi min).
10. PANELS ARE FASTENED TO THE 1/2" PLYWOOD SHEATHING WITH #12-11 x 1" PANCLIP MTW WOOD SCREWS BY DMI (OR EQUAL). SCREWS MAY BE CARBON STEEL WITH DMG85 SILVER COATING OR 316 SERIES STAINLESS STEEL.

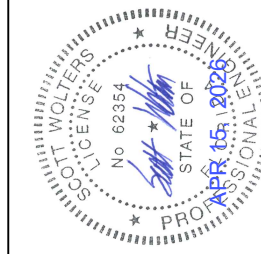
FASTENER SPACING (in)	MAXIMUM DESIGN PRESSURE (+/- psf)
6	186
12	94
24	47
36	31
48	23



**EXTERIOR VIEW
(NOT TO SCALE)**



PH: (434) 847-2445
www.sentrigard.com
65 10TH STREET
LYNCHBURG, VA 24504



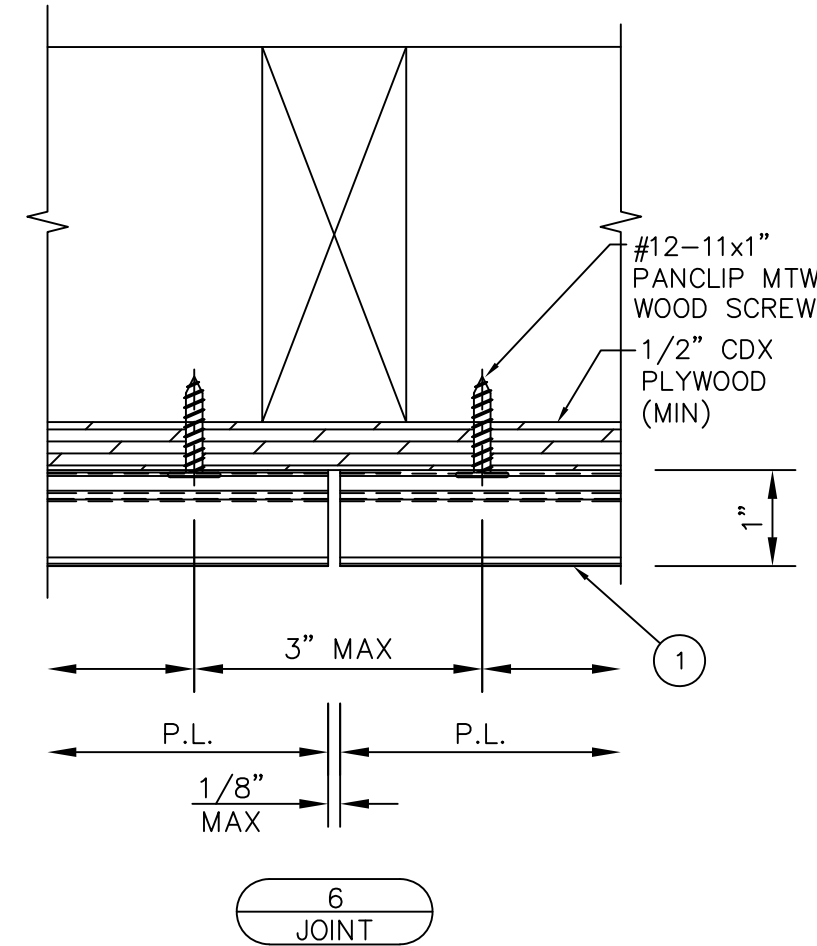
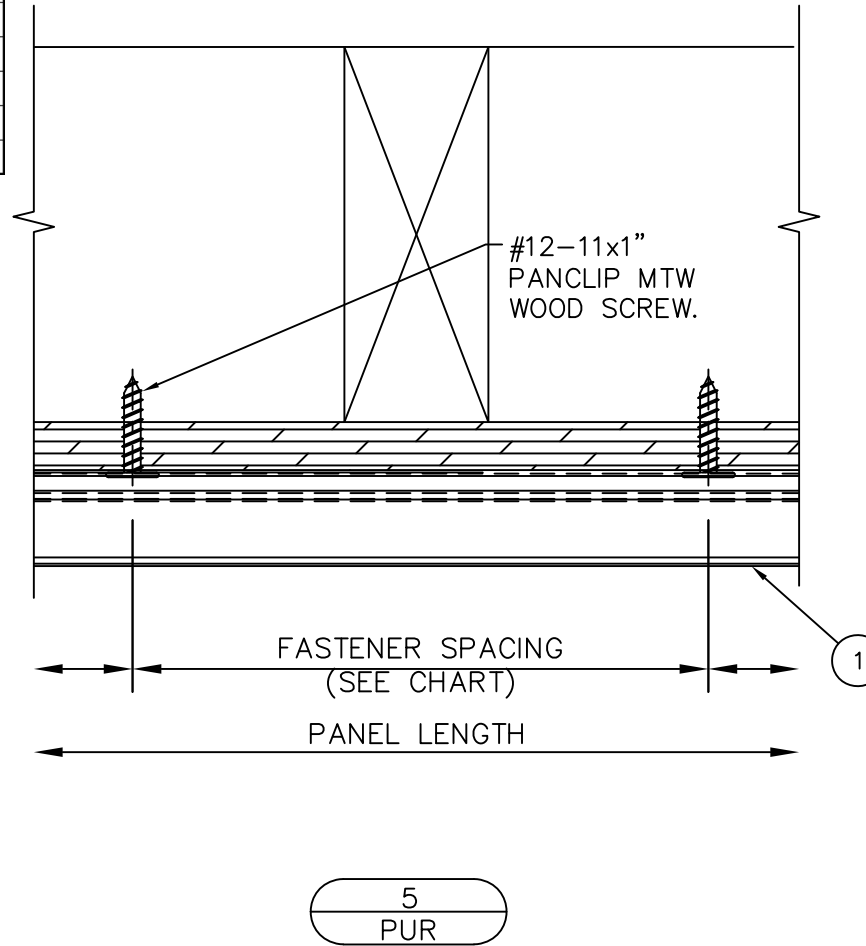
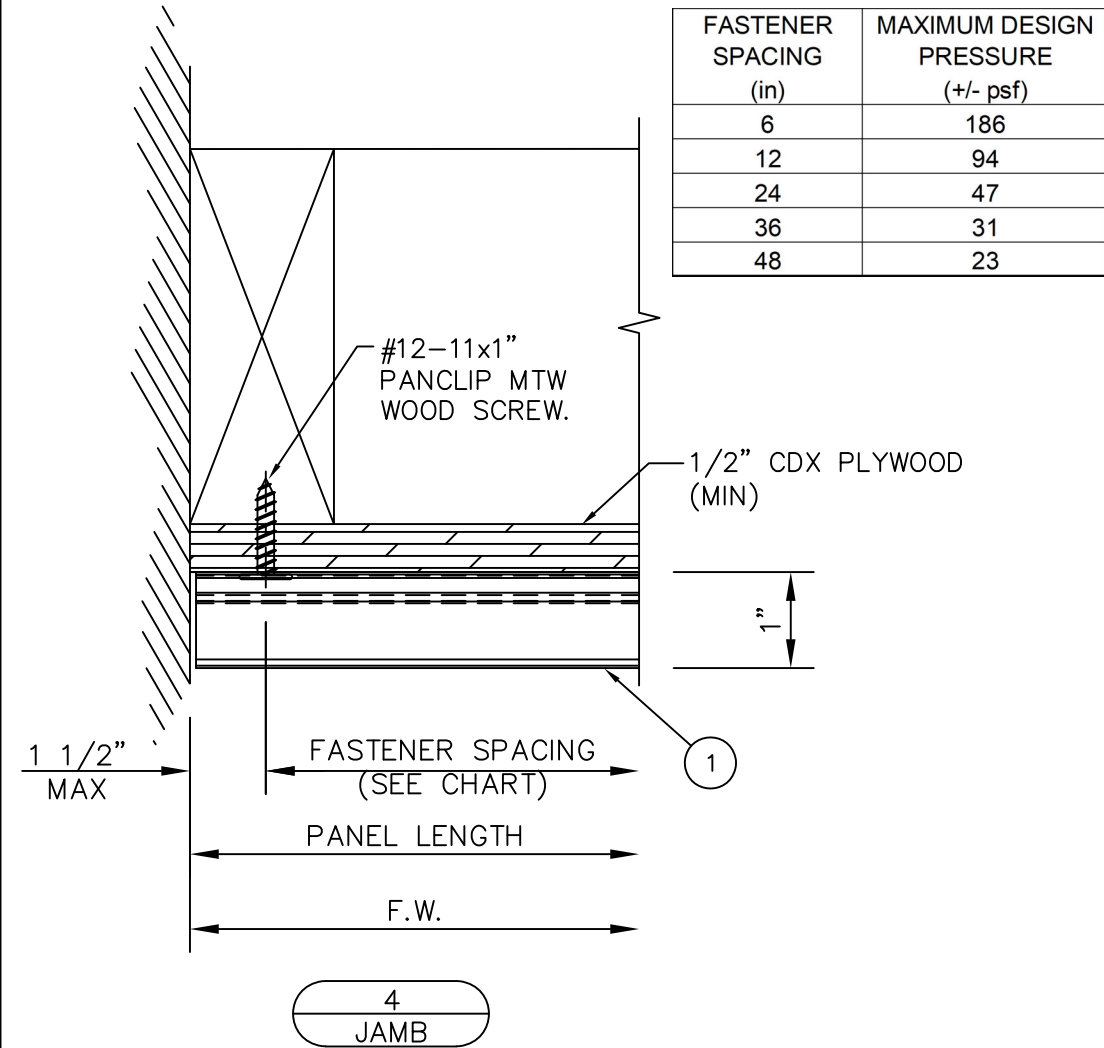
SEAL:
SCOTT WOLTERS
FL PE# 62354
WOLTERS ENGINEERING
(CO.# 27194)
15211 97TH ROAD N
WEST PALM BEACH, FL 33412
PH/FAX:(561) 225-1982

DWG: **FP100AS-PLY**
SHEET: **1/4**

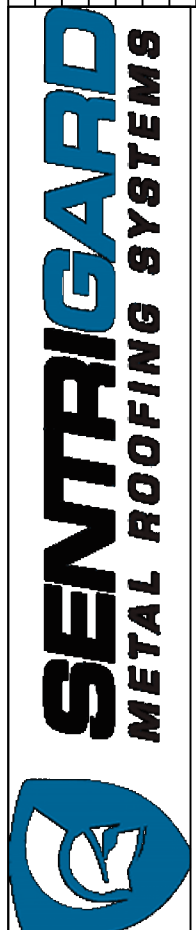
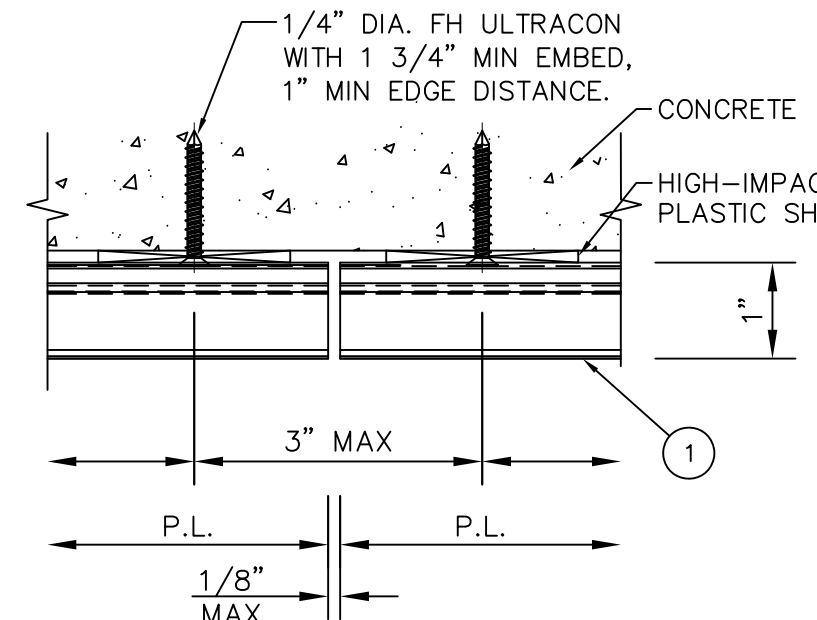
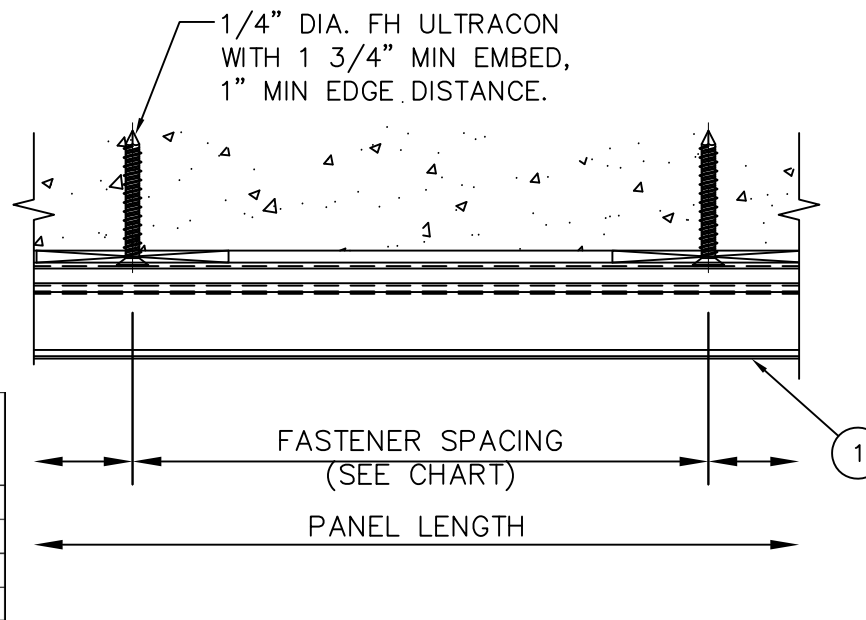
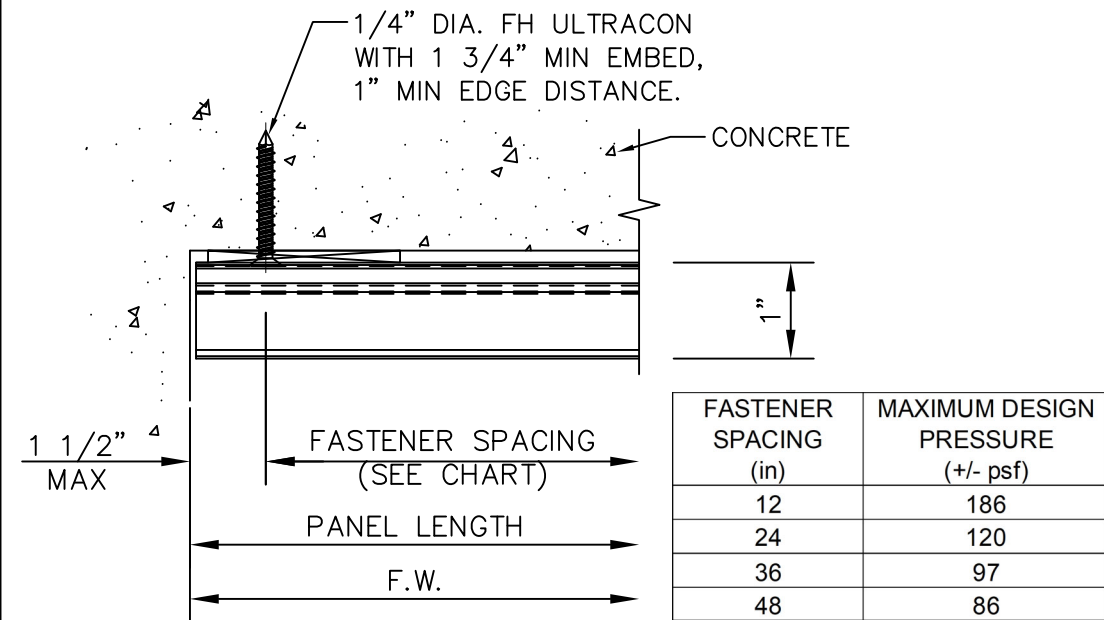
REV.#	DATE
1	4/15/26
2	
3	
4	
5	
6	
7	
8	
9	
10	

SENTRIGARD FP100 SERIES SOFFIT PANELS

0.032" ALUMINUM PANELS OVER 1/2" PLYWOOD



ALTERNATE DETAILS (CONCRETE)



SEAL:

SCOTT WOLTERS
FL PE# 62354

WOLTERS ENGINEERING
(CO.# 27194)
15211 97TH ROAD N
WEST PALM BEACH, FL 33412
PH/FAX: (561) 225-1982

APR 15 2026

STATE OF FLORIDA
PROFESSIONAL ENGINEER

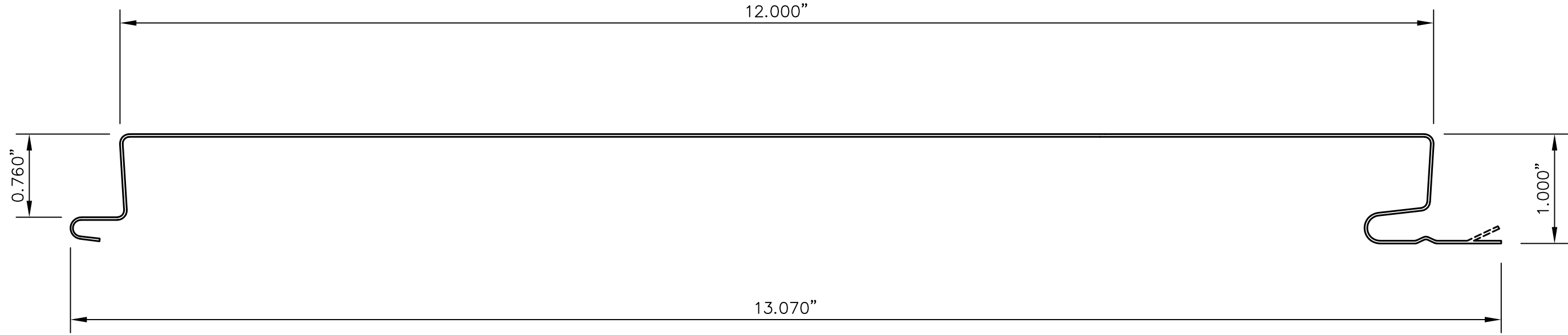
DWG: **FP100AS-PLY**

SHEET: **3/4**

PH: (434) 847-2445	REV#	DATE
www.sentrigard.com	1ST SUBMITTAL	4/15/26
	PRINTS ISSUED	FDR
65 10TH STREET		
LYNCHBURG, VA 24504		

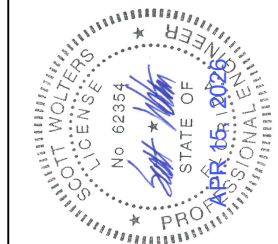
SENTRIGARD FP100 SERIES SOFFIT PANELS

0.032" ALUMINUM PANELS OVER 1/2" PLYWOOD



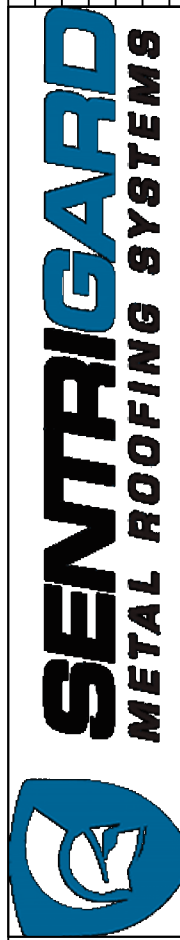
1

0.032" ALUMINUM
(Fy=24 ksi MIN)



SEAL:
SCOTT WOLTERS
FL PE# 62354
WOLTERS ENGINEERING
(COA# 27194)
15211 97TH ROAD N
WEST PALM BEACH, FL 33412
PH/FAX: (561) 225-1982

DWG: **FP100AS-PLY**
SHEET: **4/4**



SENTRIGARD
METAL ROOFING SYSTEMS

65 10TH STREET
LYNCHBURG, VA 24504

PH: (434) 847-2445
www.sentrigard.com

REV.#	ISSUED FOR	DATE
1	1ST SUBMITTAL	4/15/26
2	PRINTS	
3	ISSUED FOR	
4		
5		
6		
7		
8		
9		
10		